



WIRING DIAGRAMS

15 June 2022

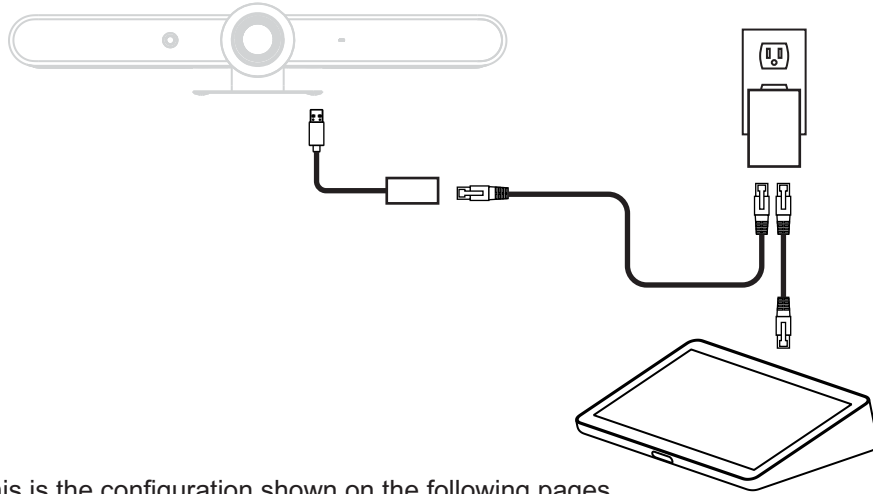


TABLE OF CONTENTS

<u>Rally Bar/Rally Bar Mini Appliance Mode</u>	4
<u>Rally Bar/Rally Bar Mini BYOD Mode</u>	12
<u>Rally Bar/Rally Bar Mini USB Mode</u>	17
<u>Rally Bar, Rally Bar Mini and RoomMate with Touch Screens</u>	23
<u>Rally/Rally Plus</u>	27
<u>SWYTCH</u>	32
<u>RoomMate</u>	39
<u>Scribe</u>	45

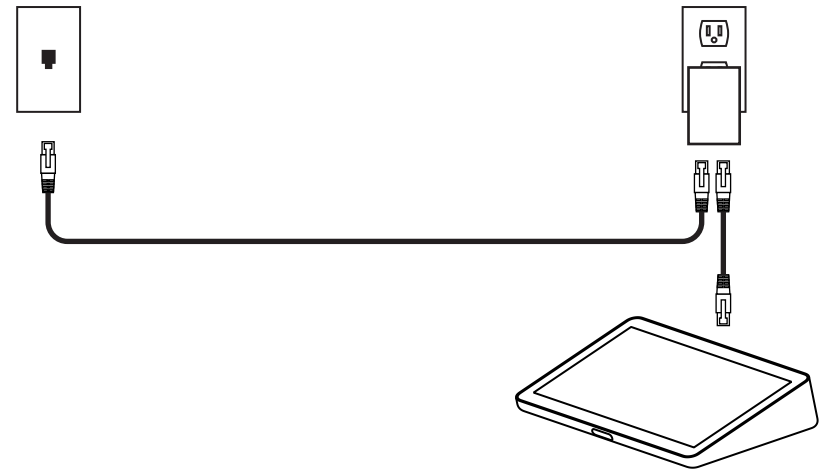
Wiring configurations for Tap and Tap IP. The wiring diagrams on the following pages are shown with Tap, but most configurations can be substituted with Tap IP using one of the below connection methods.

Tap
USB connection*

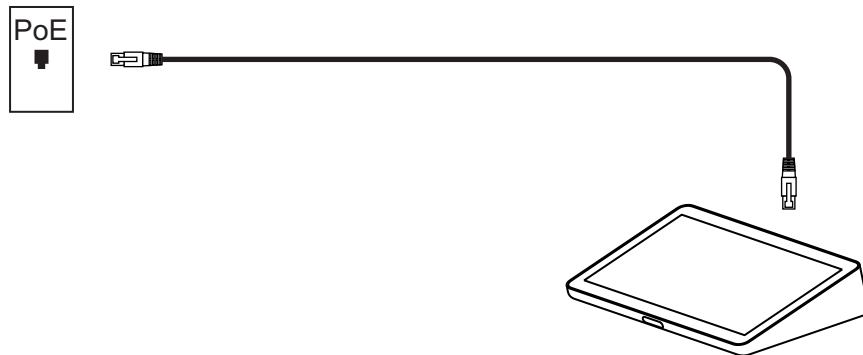


*This is the configuration shown on the following pages

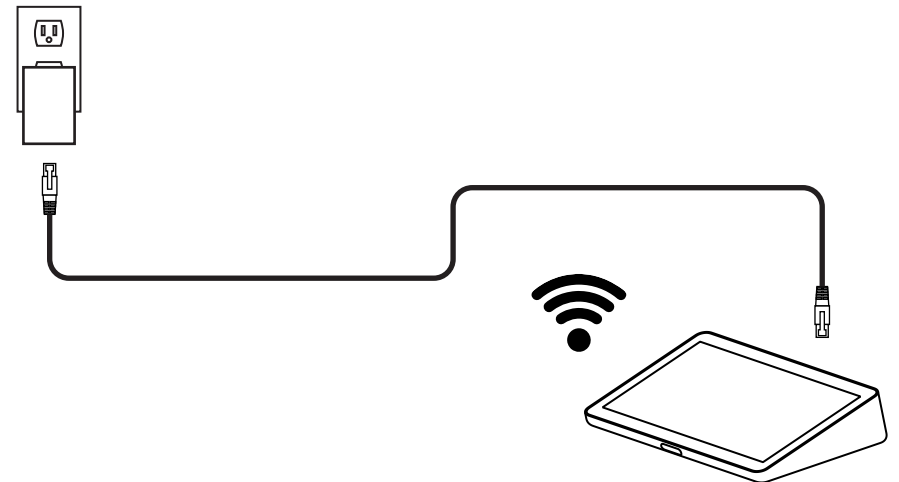
Tap IP
LAN + PoE injector (available for purchase seperately)



Tap IP
PoE enabled network

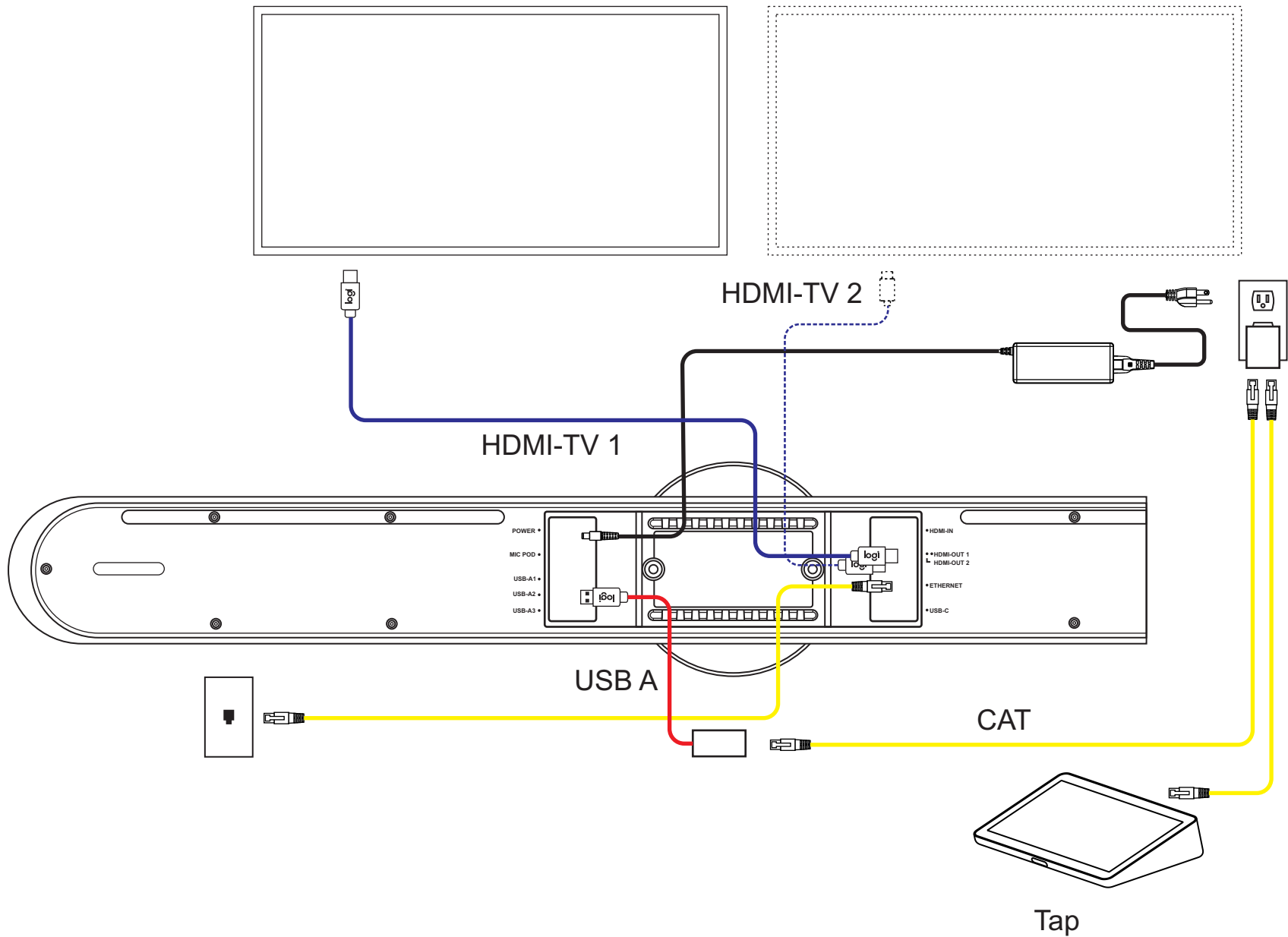


Tap IP
WLAN + PoE injector (available for purchase seperately)



RALLY BAR & RALLY BAR MINI IN APPLIANCE MODE

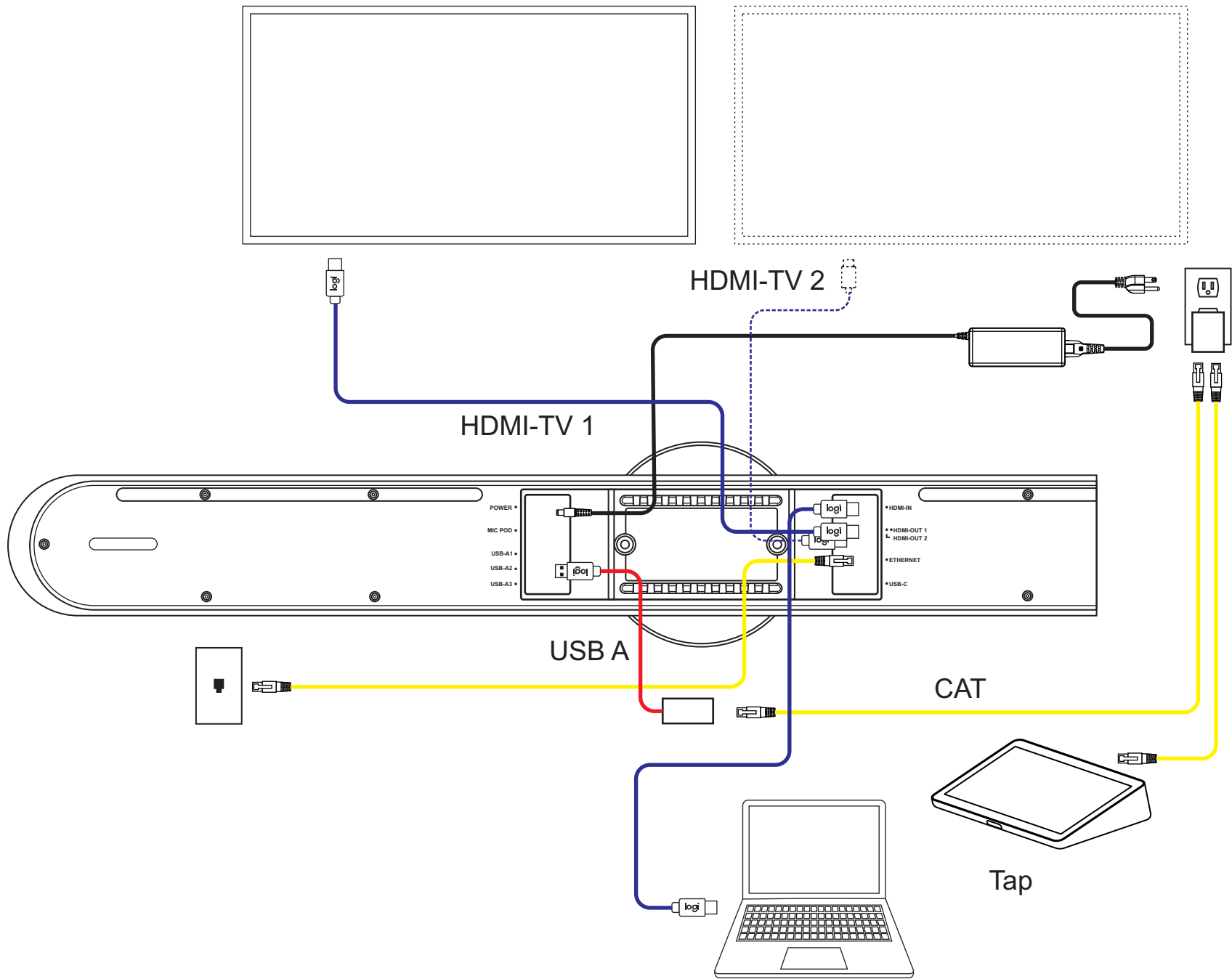
[Table of Contents](#)



- CAT ■
- USB ■
- HDMI ■



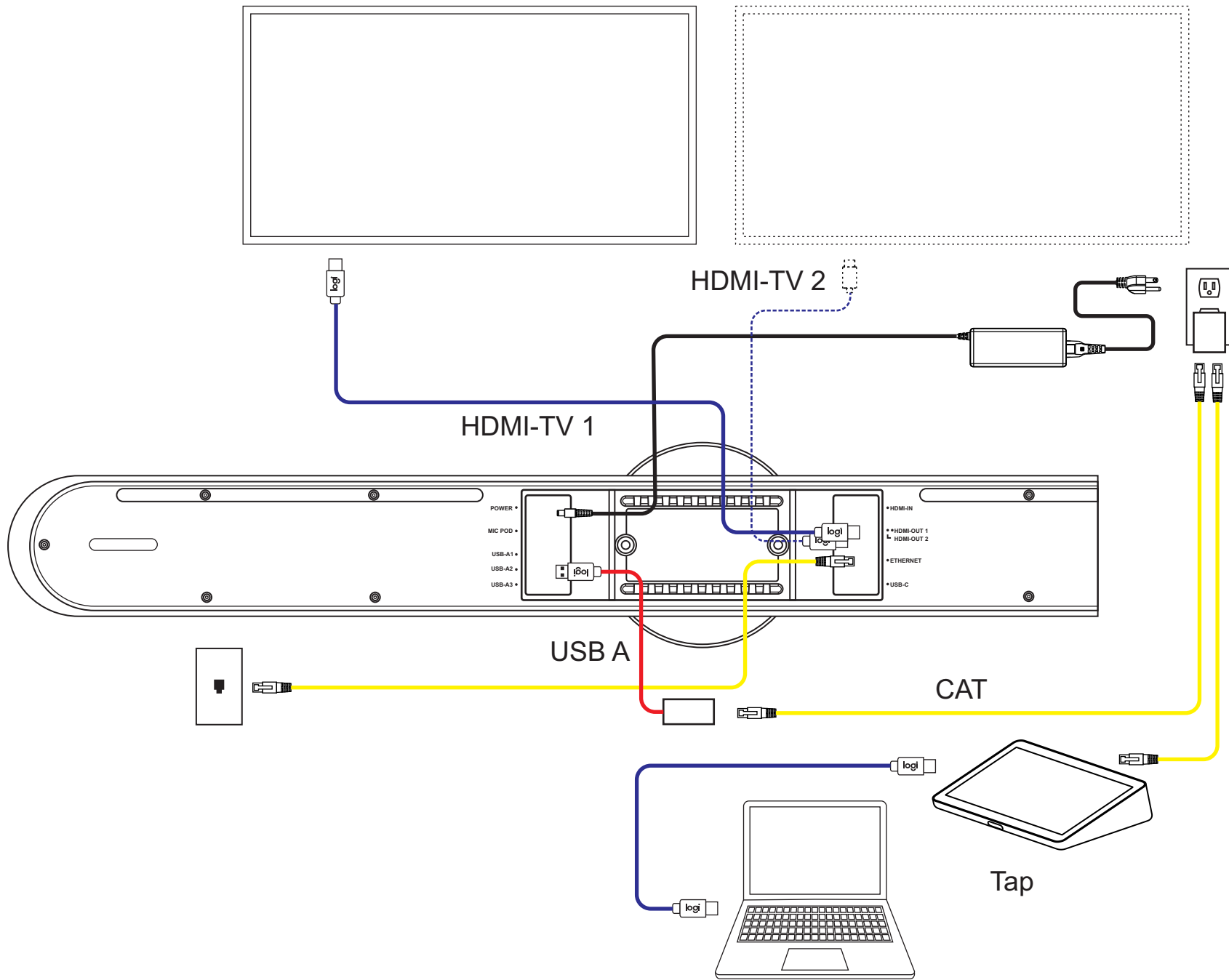
**Rally Bar / Rally Bar Mini
Appliance Mode: Default configuration**



CAT ■
 USB ■
 HDMI ■



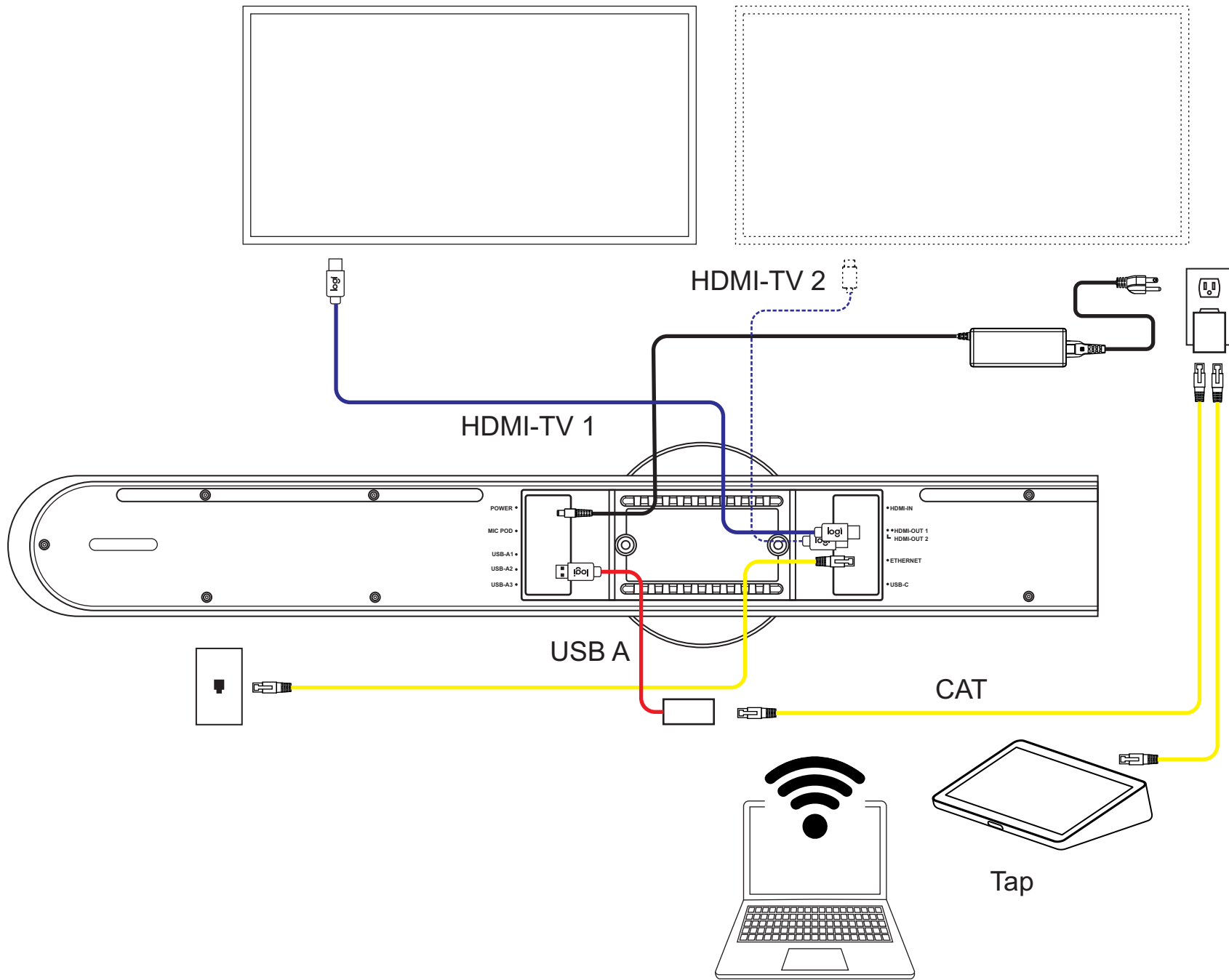
Rally Bar / Rally Bar Mini
Appliance Mode: Wired screen share (VC application dependent)



Rally Bar / Rally Bar Mini
Appliance Mode: Wired screen share (VC application dependent)

CAT ■
 USB ■
 HDMI ■

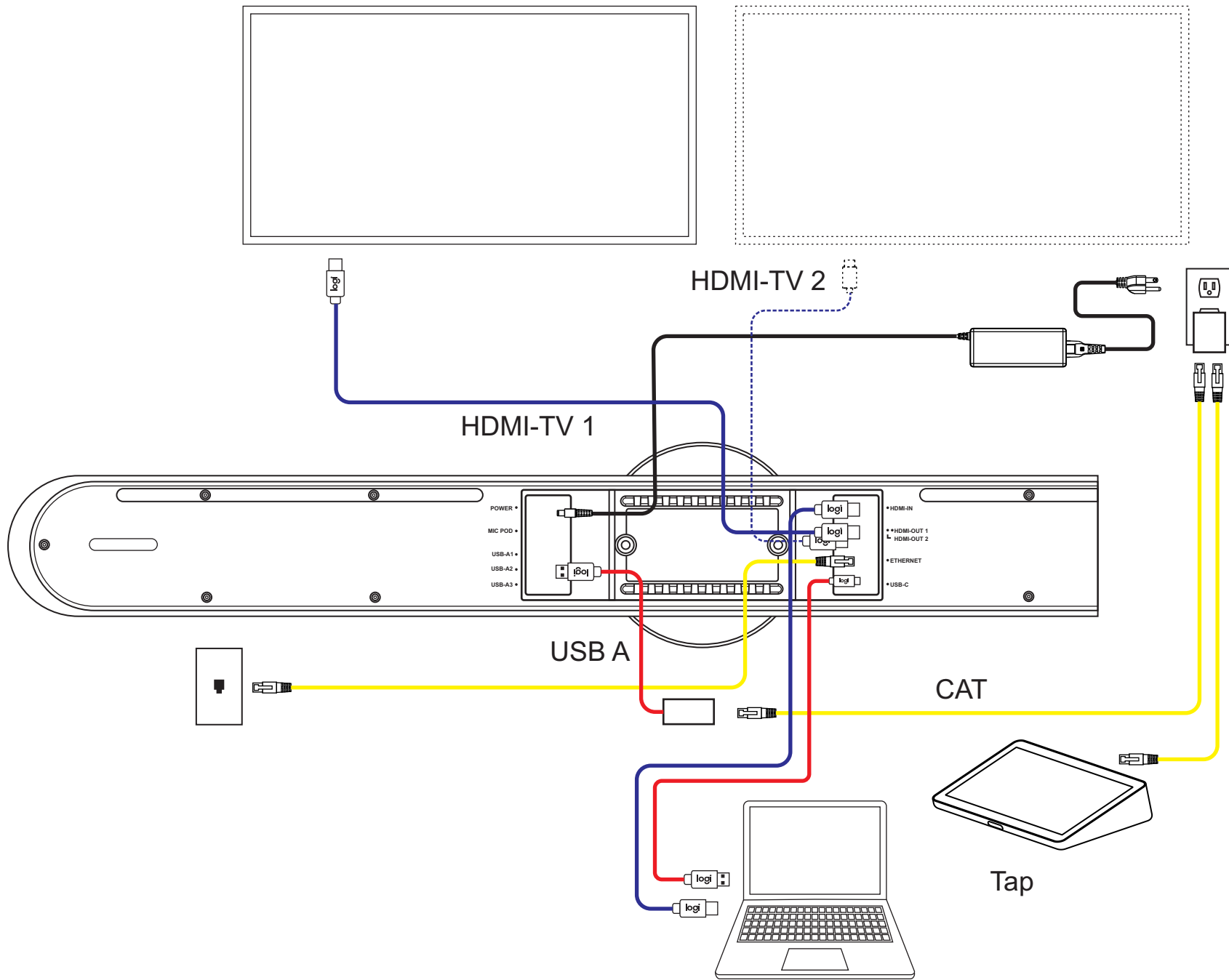




- CAT ■
- USB ■
- HDMI ■



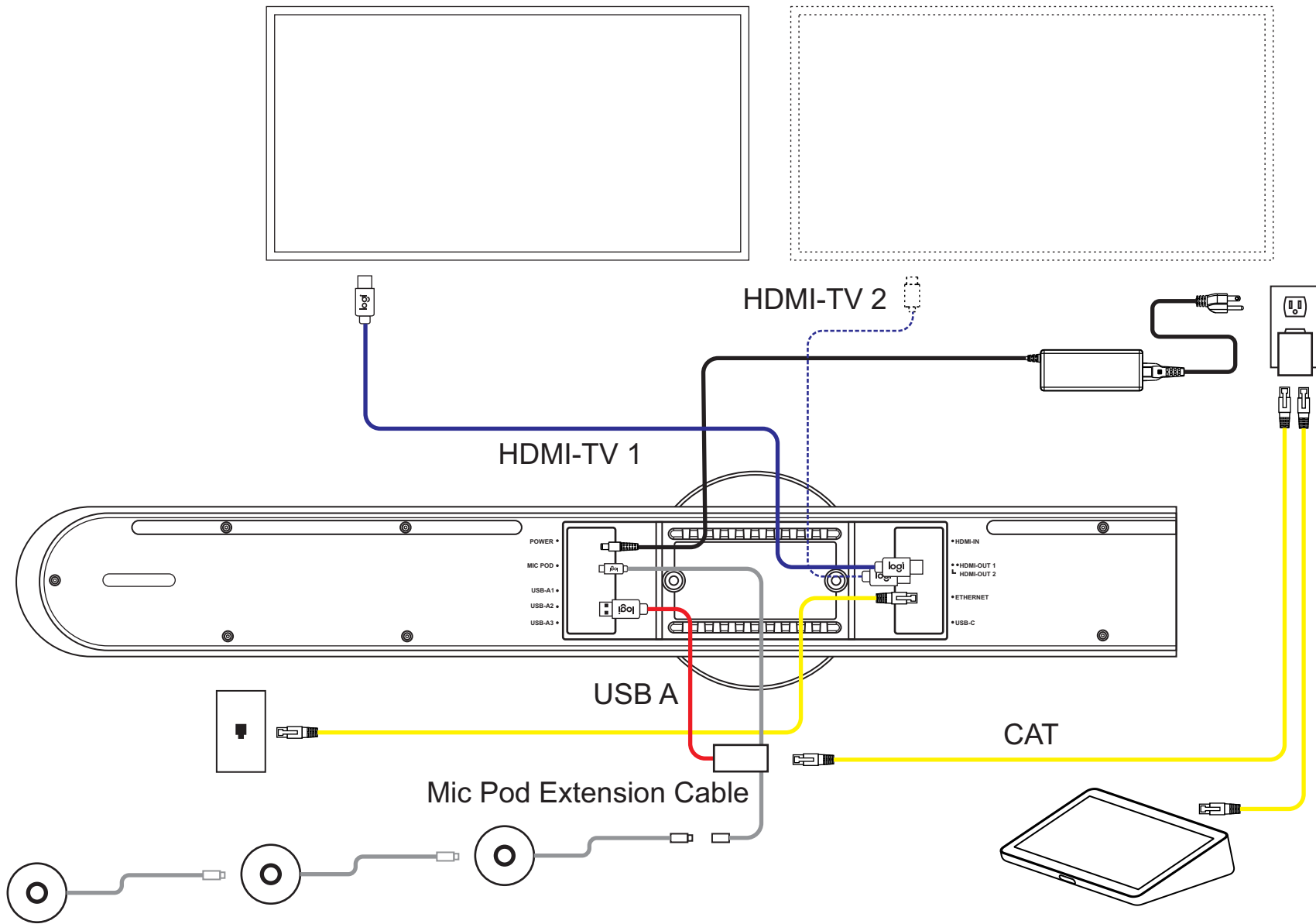
Rally Bar / Rally Bar Mini
Appliance Mode: Wireless screen share through VC application



CAT ■
 USB ■
 HDMI ■



Rally Bar / Rally Bar Mini
Appliance Mode: Temporary switch to USB mode

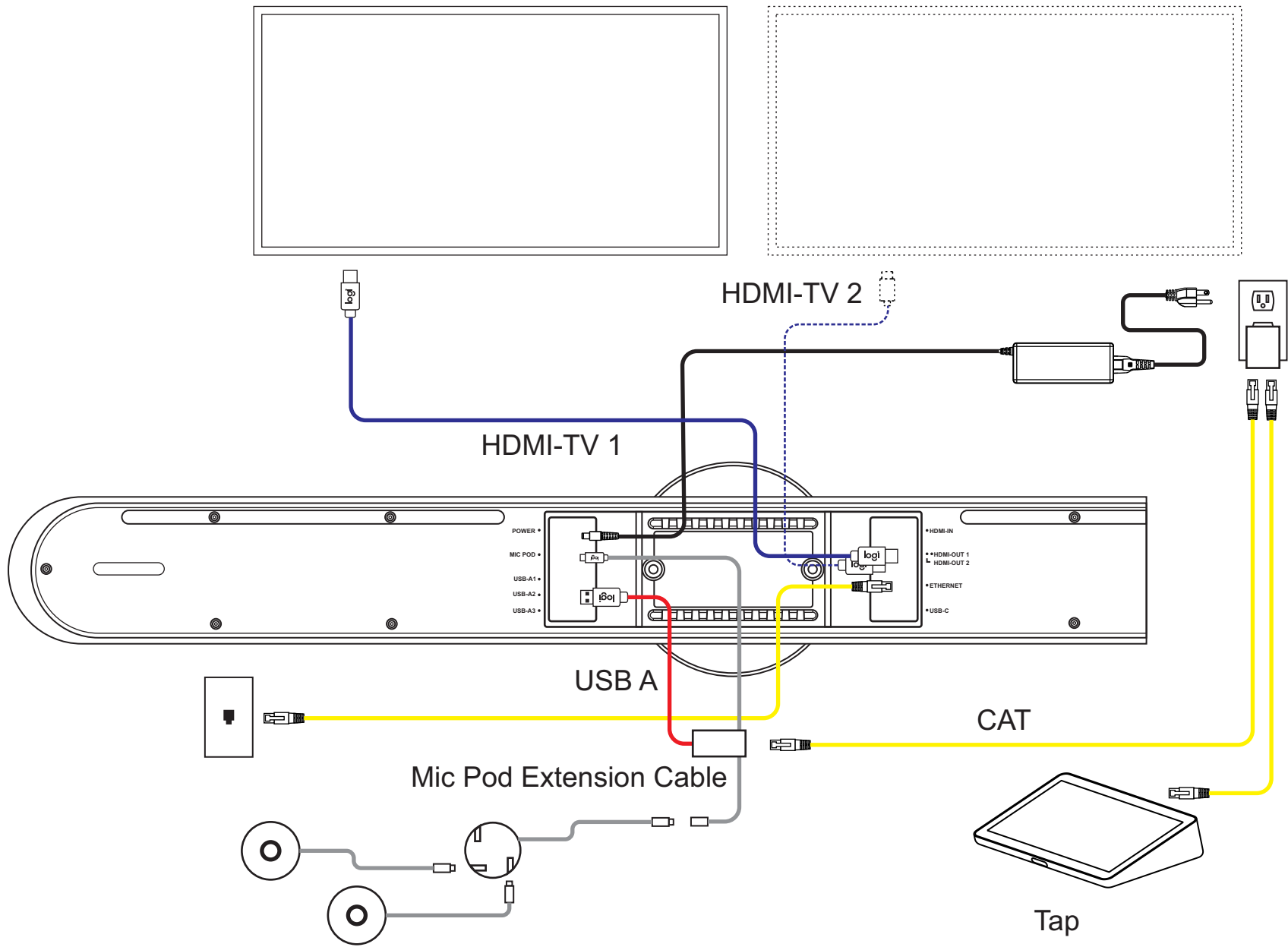


- CAT ■
- USB ■
- HDMI ■
- MIC ■



**Rally Bar / Rally Bar Mini
Appliance Mode**

Rally Bar max 4 Mic Pods; Rally Bar Mini max 3 Mic Pods



- CAT ■
- USB ■
- HDMI ■
- MIC ■

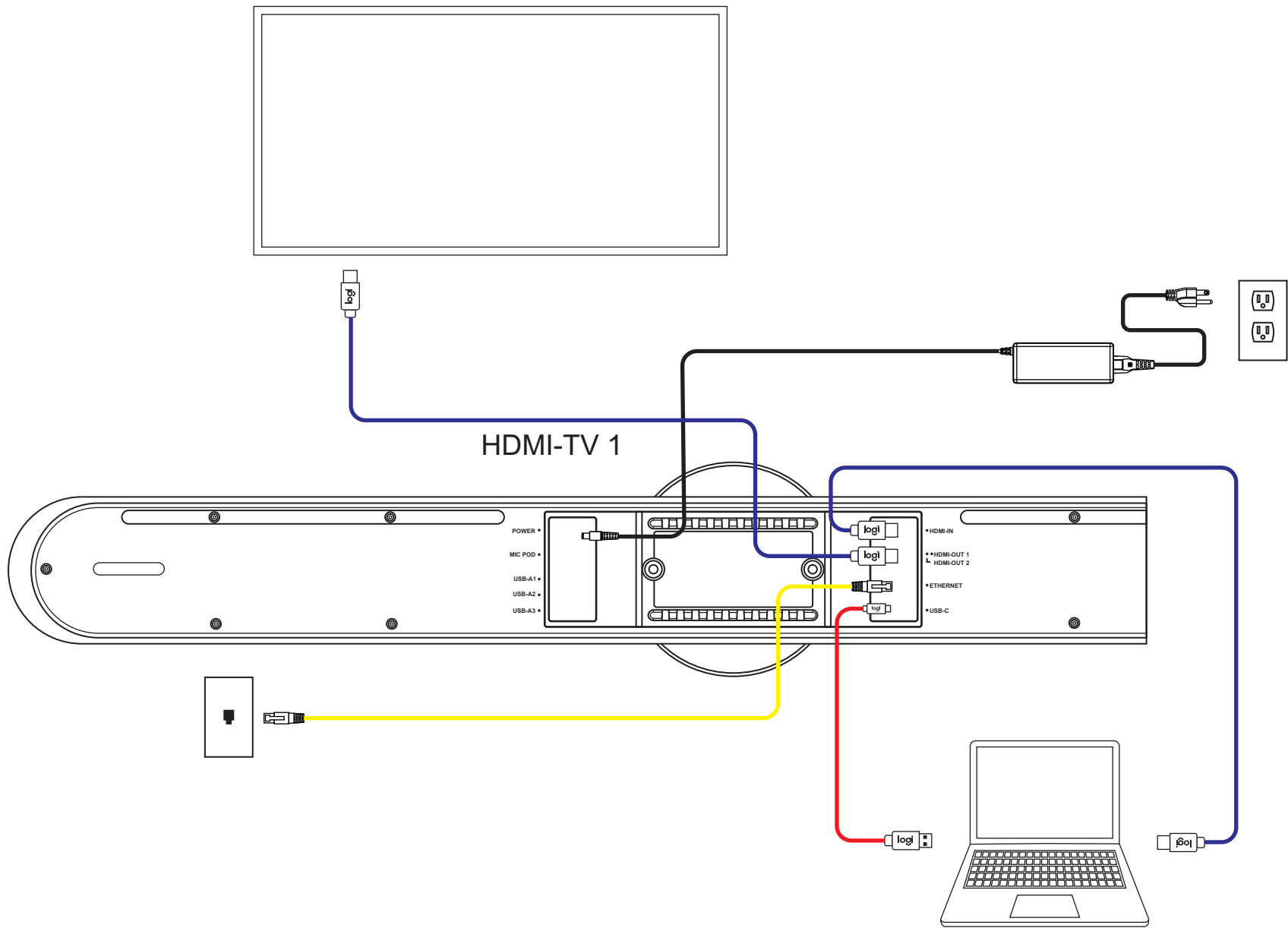


**Rally Bar / Rally Bar Mini
Appliance Mode:**

Rally Bar max 4 Mic Pods + 2 Mic Pod Hubs /Rally Bar Mini max 3 Mic Pods + 2 Mic Pod Hubs

RALLY BAR & RALLY BAR MINI IN BYOD MODE

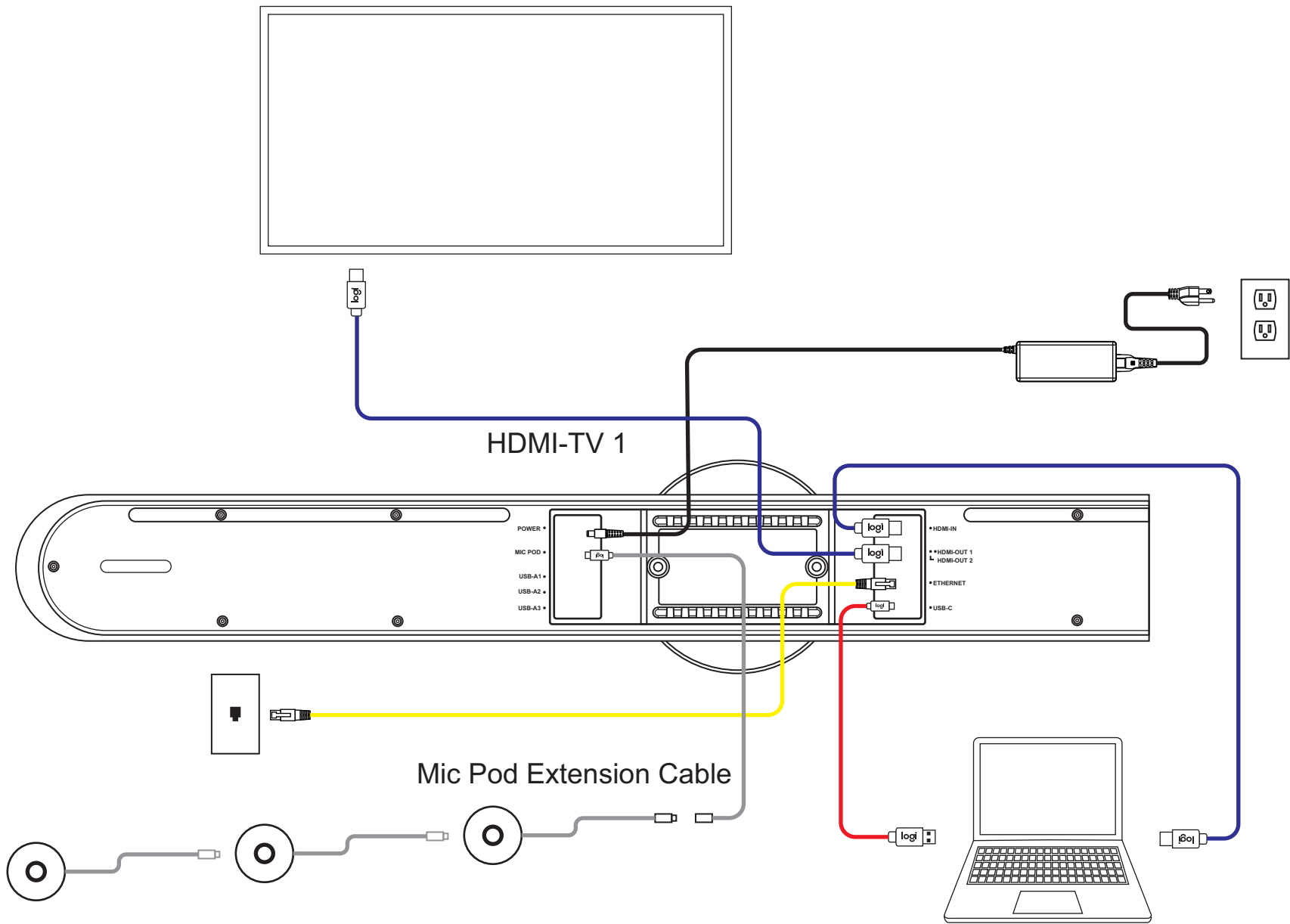
[Table of Contents](#)



- CAT ■
- USB ■
- HDMI ■



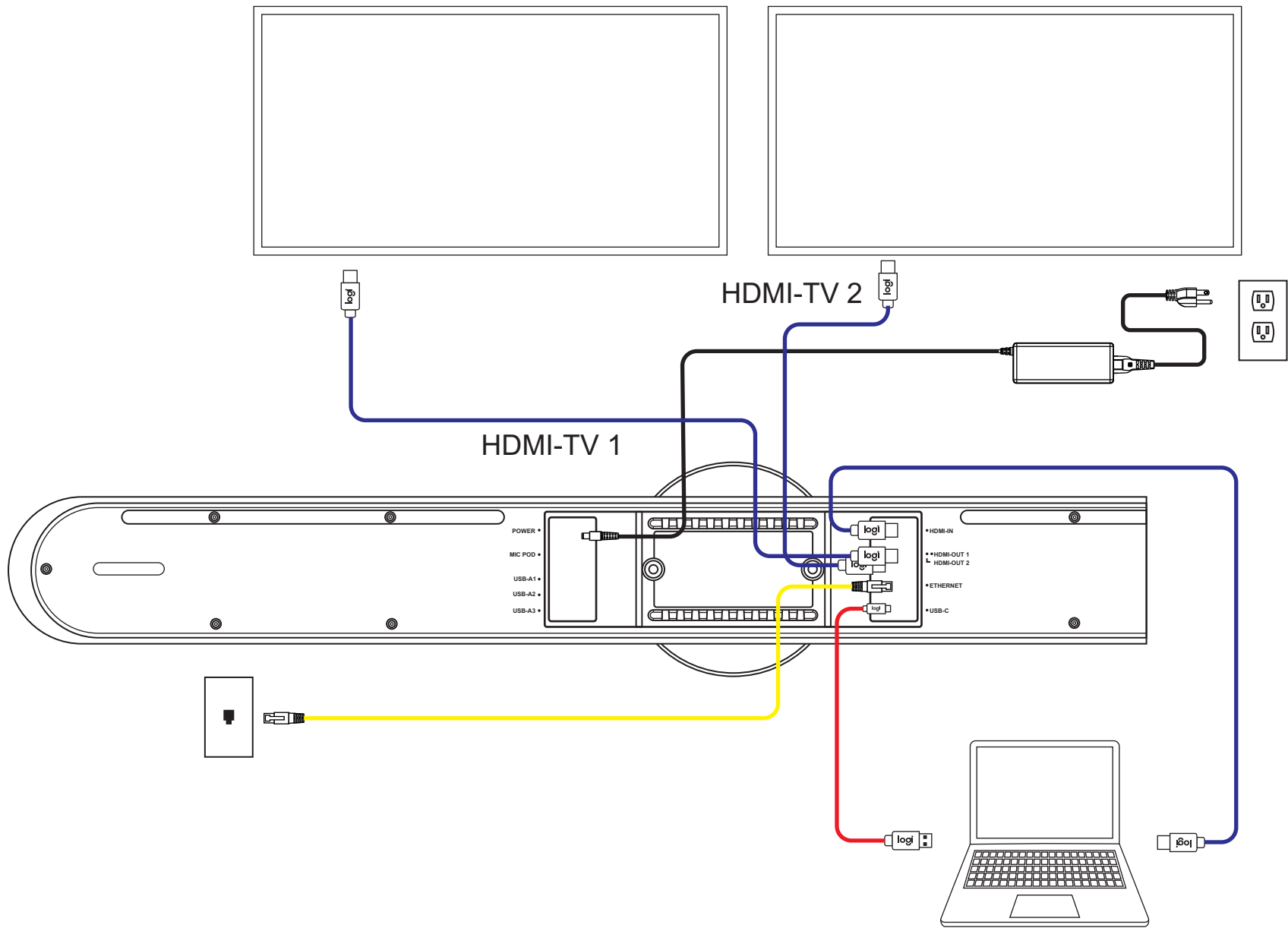
**Rally Bar / Rally Bar Mini
BYOD Mode: Default configuration**



- CAT ■
- USB ■
- HDMI ■
- MIC ■



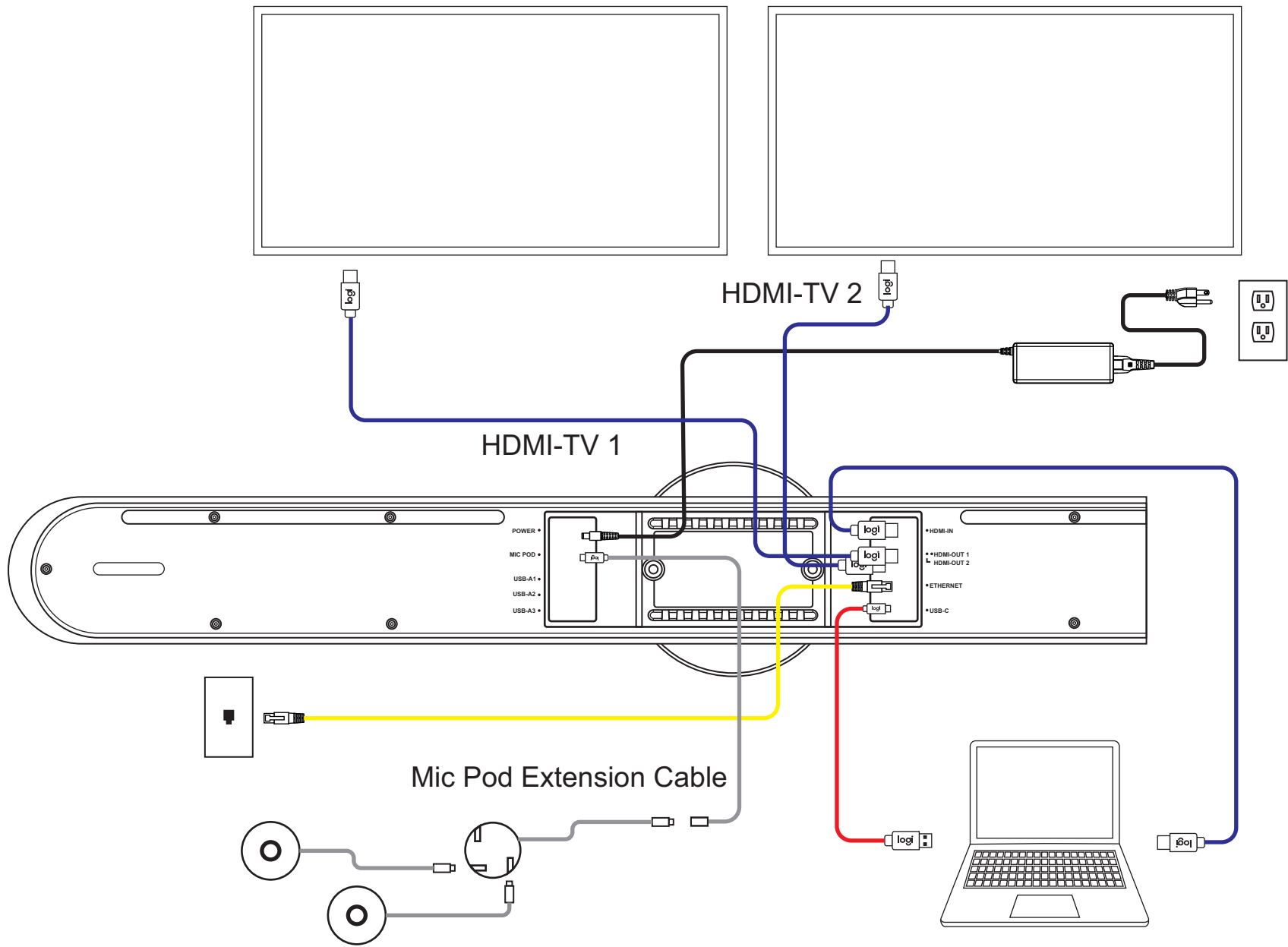
Rally Bar / Rally Bar Mini
BYOD Mode: Rally Bar up to 4 Mic Pods
Rally Bar Mini up to 3 Mic Pods



CAT ■
 USB ■
 HDMI ■



Rally Bar / Rally Bar Mini
BYOD Mode: Dual screens - screens are duplicated



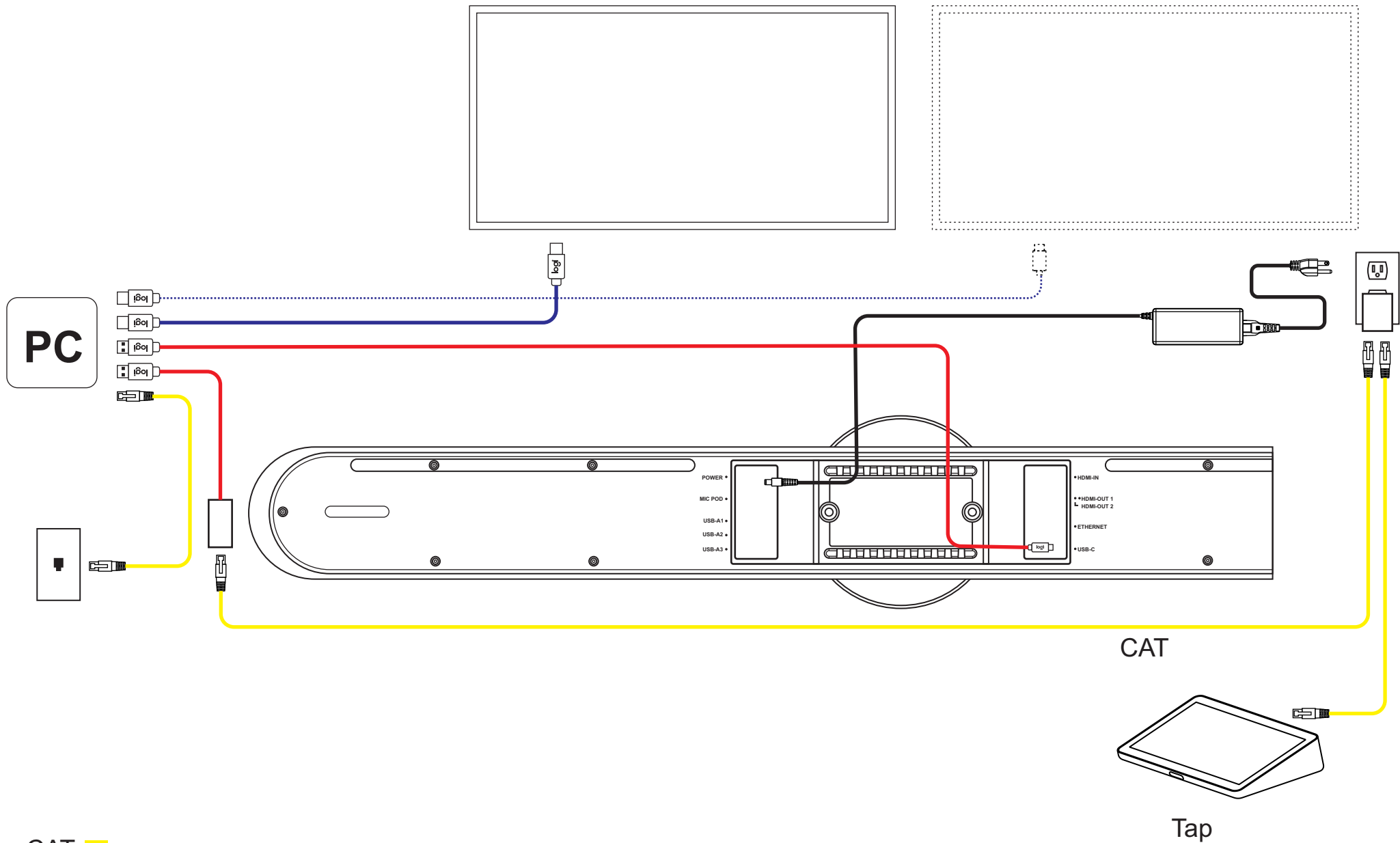
- CAT ■
- USB ■
- HDMI ■
- MIC ■



Rally Bar / Rally Bar Mini
BYOD Mode: Rally Bar max 4 Mic Pods + 2 Mic Pod Hubs /Rally Bar Mini max 3 Mic Pods + 2 Mic Pod Hubs

RALLY BAR & RALLY BAR MINI IN USB MODE

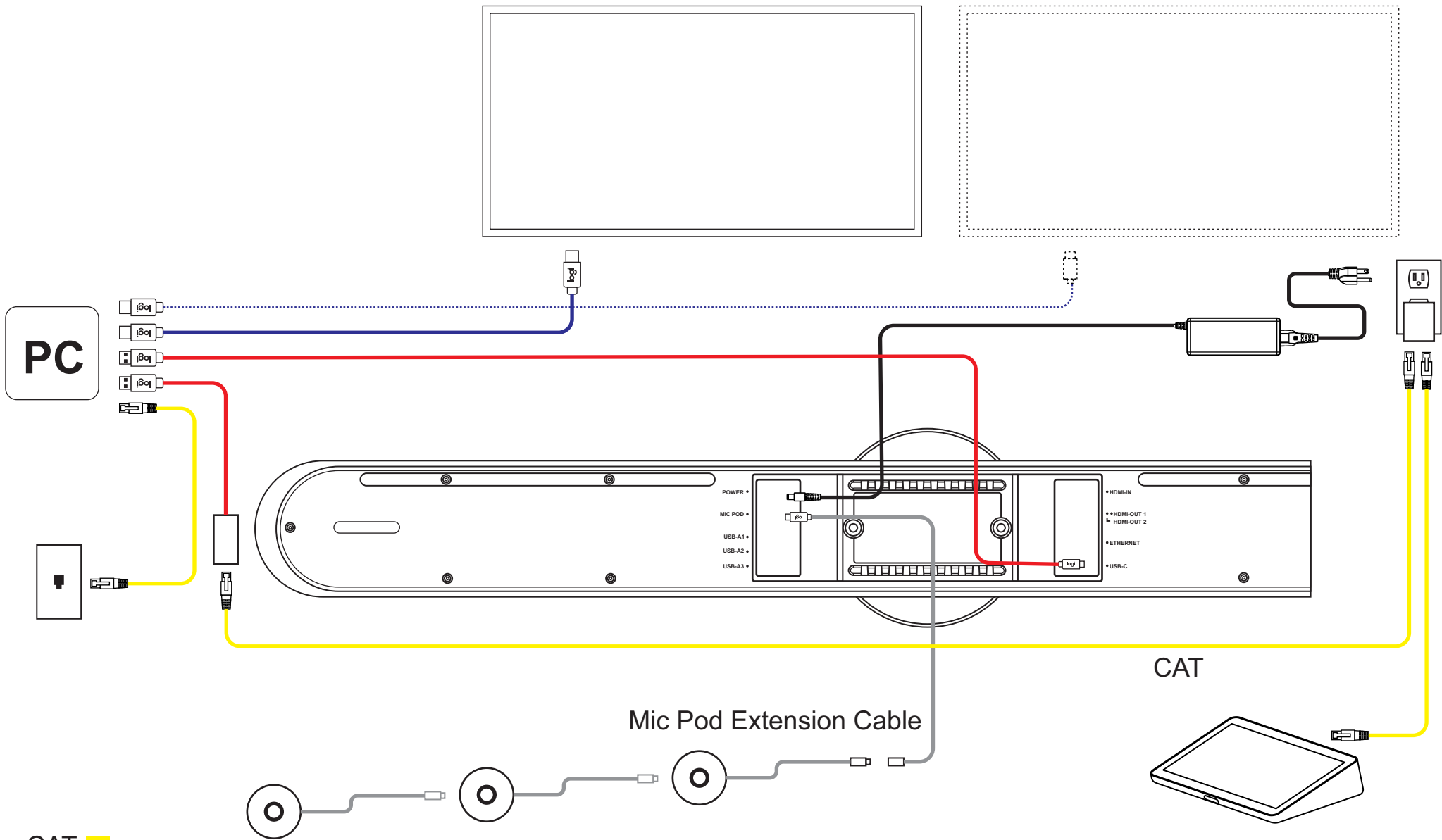
[Table of Contents](#)



CAT ■
 USB ■
 HDMI ■



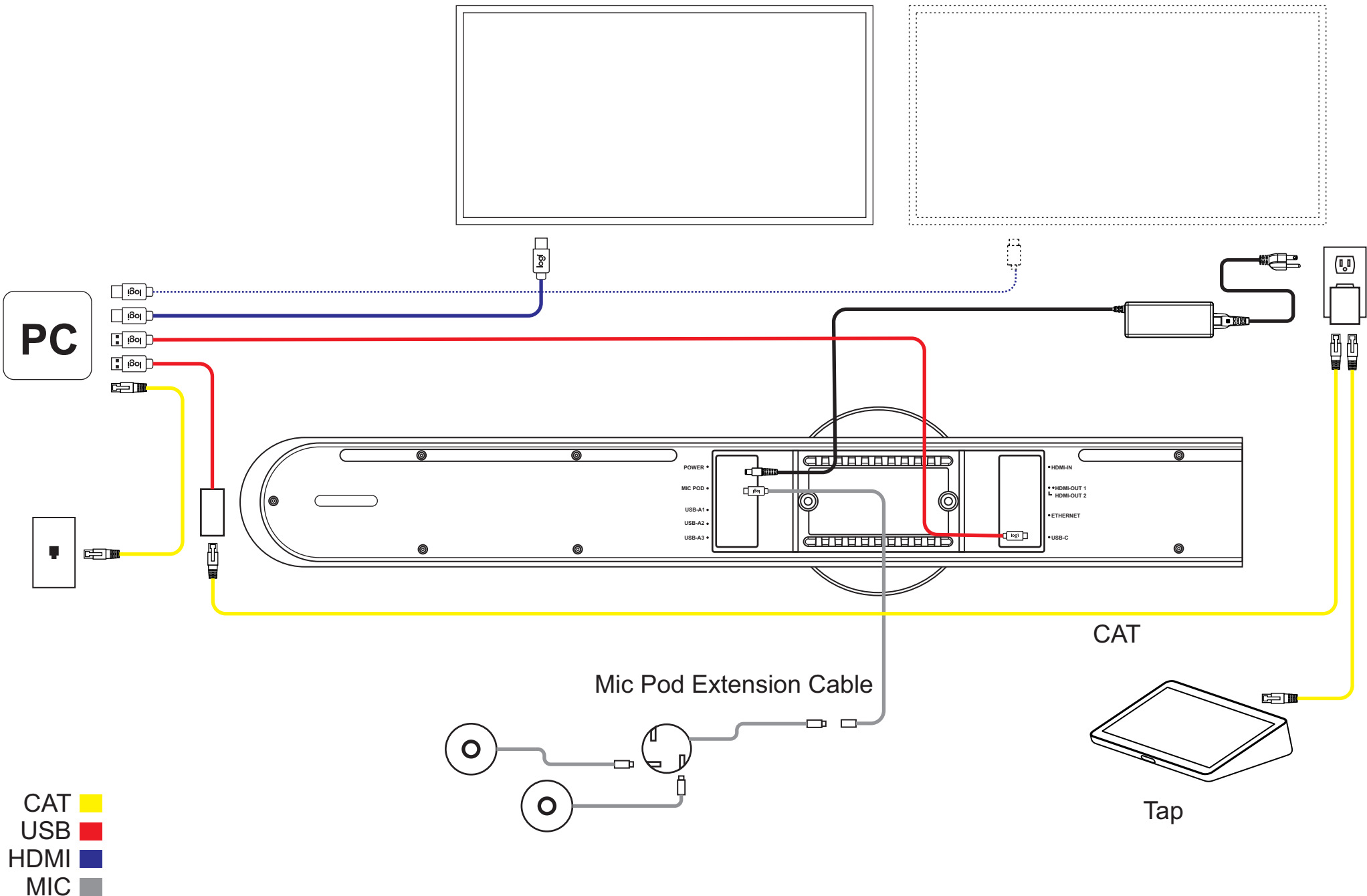
**Rally Bar / Rally Bar Mini
USB Mode: Default configuration**



- CAT ■
- USB ■
- HDMI ■
- MIC ■



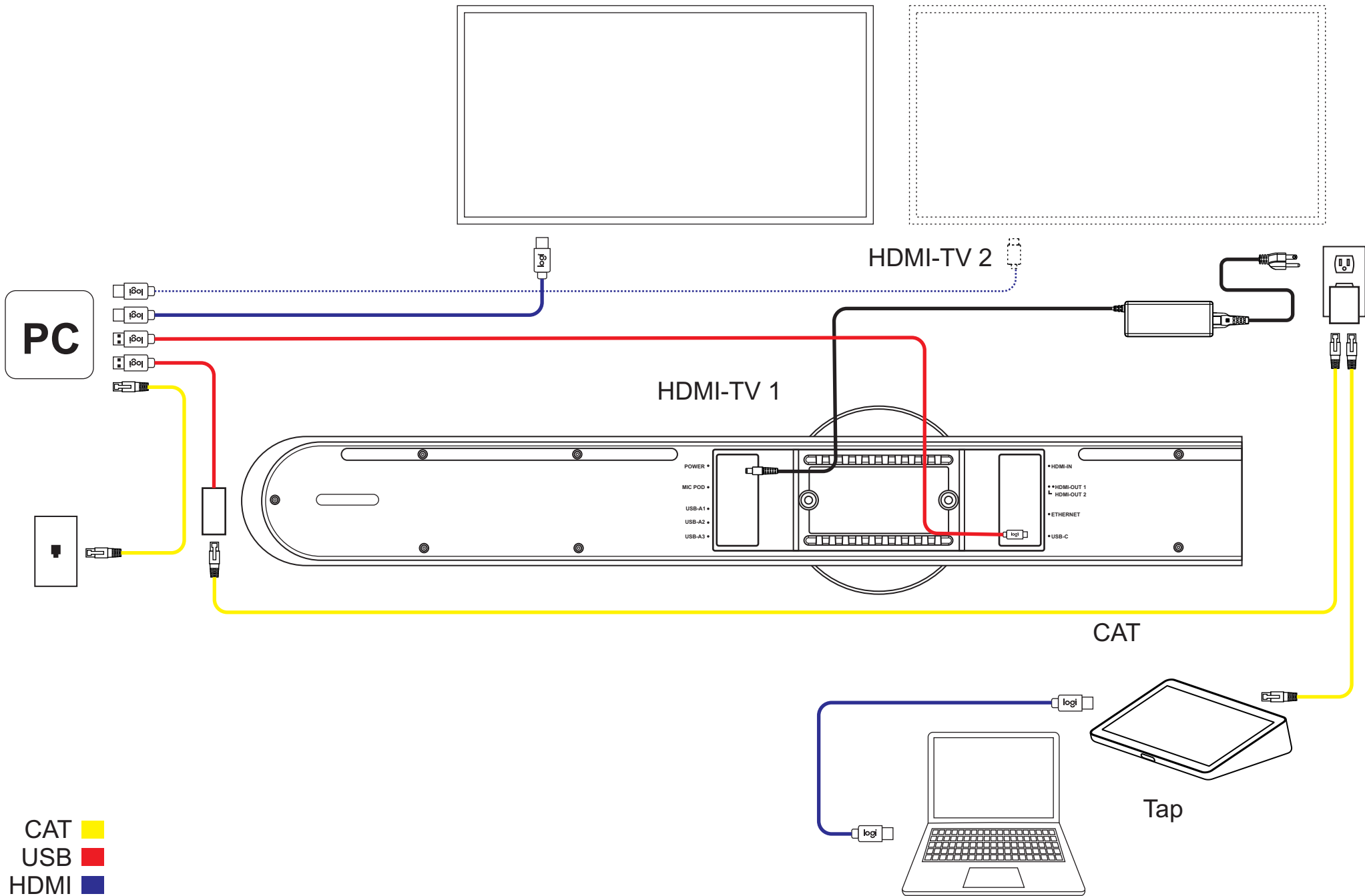
Rally Bar / Rally Bar Mini
USB Mode: Rally Bar up to 4 mic pods
Rally Bar Mini up to 3 mic pods



- CAT
- USB
- HDMI
- MIC



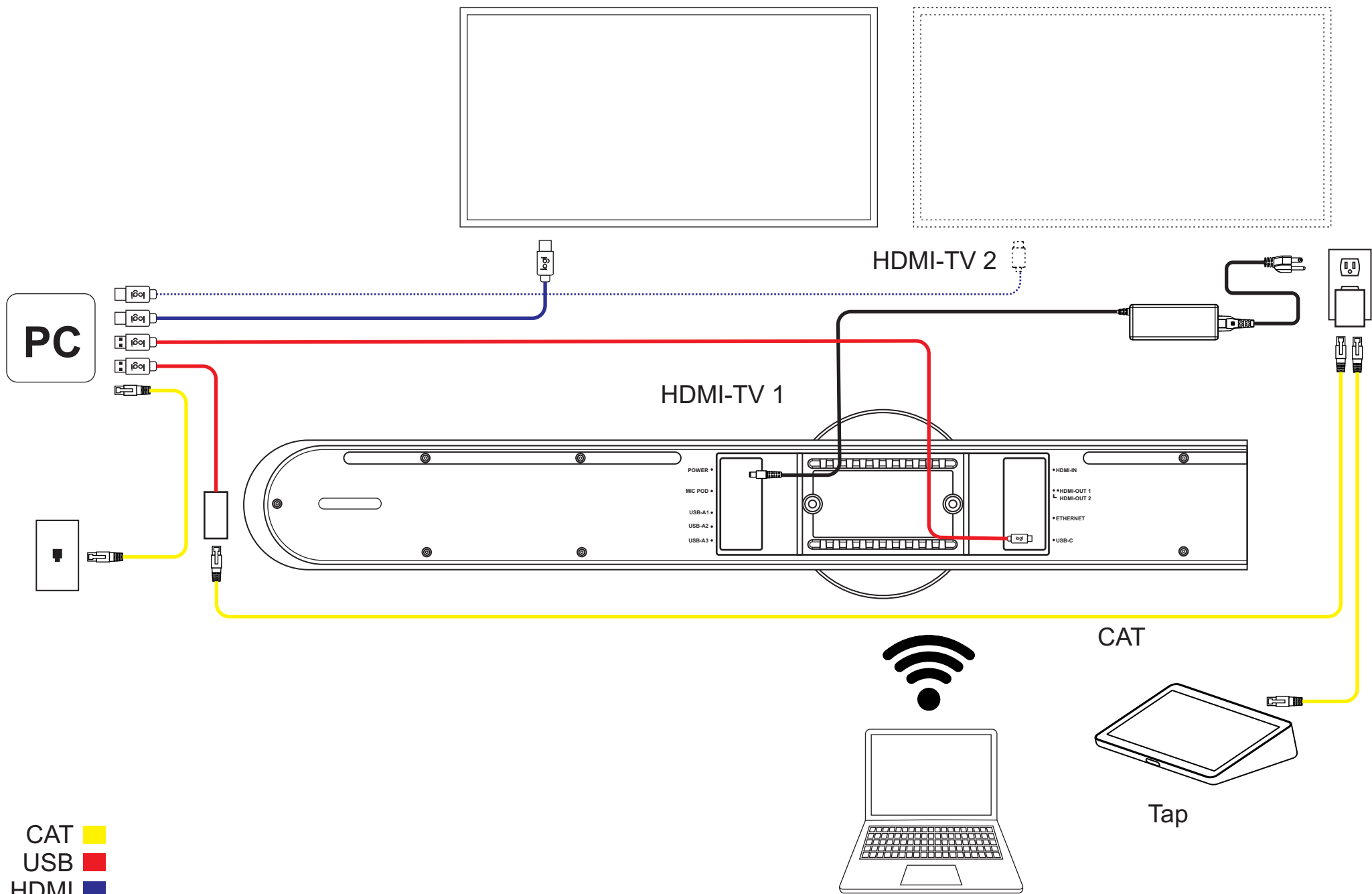
Rally Bar / Rally Bar Mini
 USB Mode: Rally Bar max 4 Mic Pods + 2 Mic Pod Hubs /Rally Bar Mini max 3 Mic Pods + 2 Mic Pod Hubs



- CAT ■
- USB ■
- HDMI ■



Rally Bar / Rally Bar Mini
USB Mode: Wired screen share (VC application dependent)



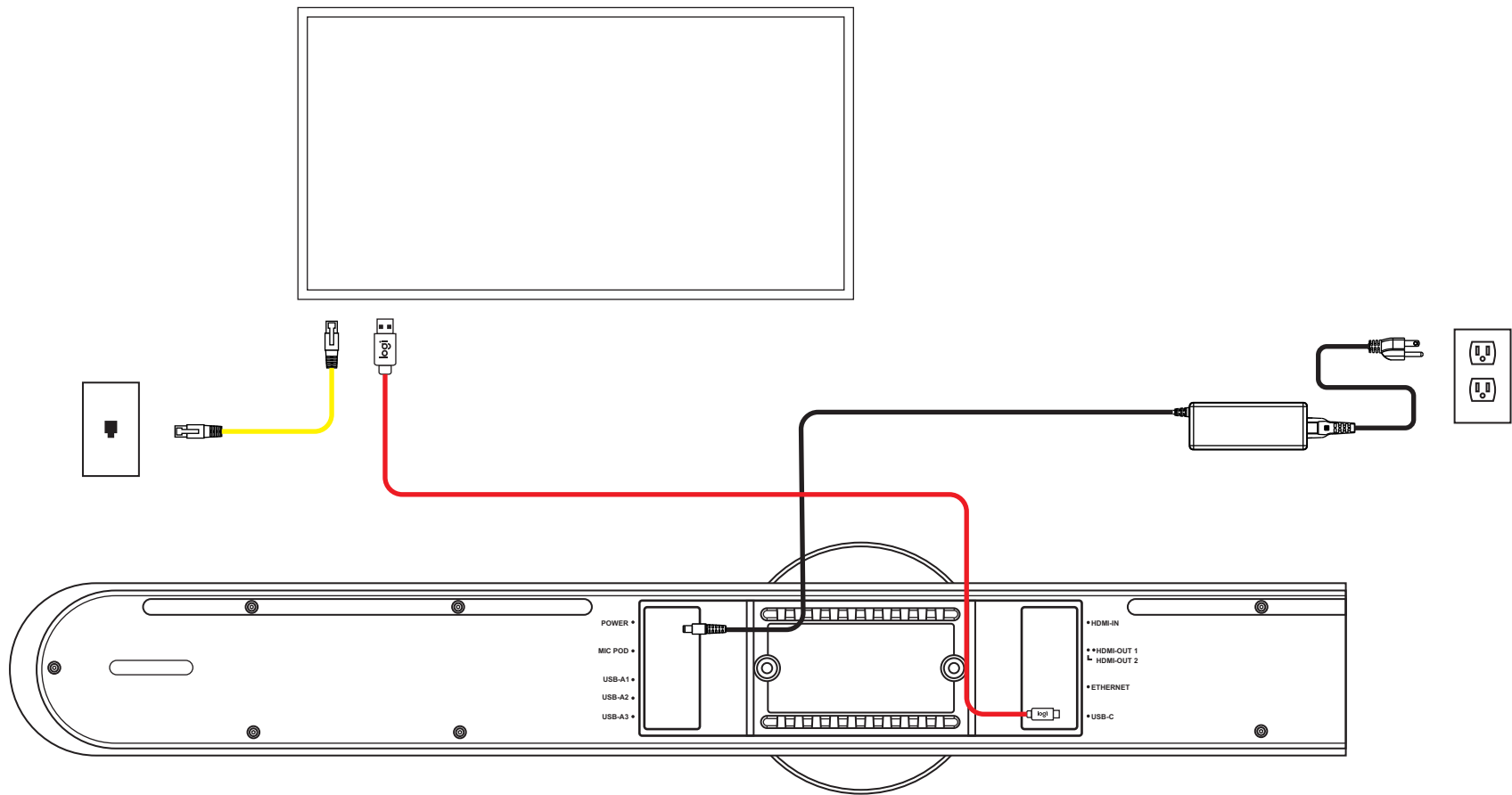
CAT ■
 USB ■
 HDMI ■



Rally Bar / Rally Bar Mini
 USB Mode: Wireless screen share through VC application (VC application dependent)

RALLY BAR, RALLY BAR MINI & ROOMMATE WITH INTERACTIVE TOUCH SCREENS

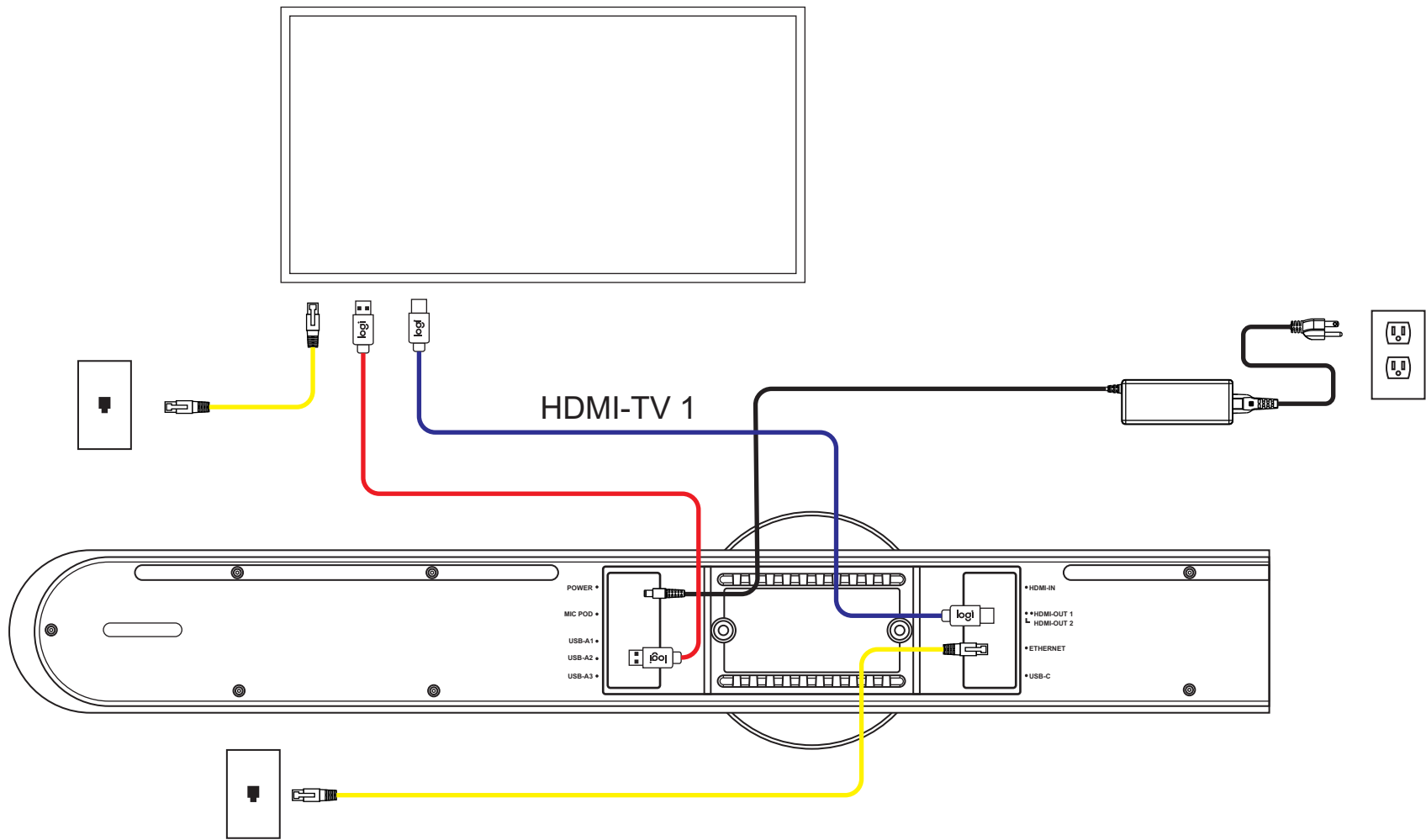
[Table of Contents](#)



CAT ■
 USB ■
 HDMI ■



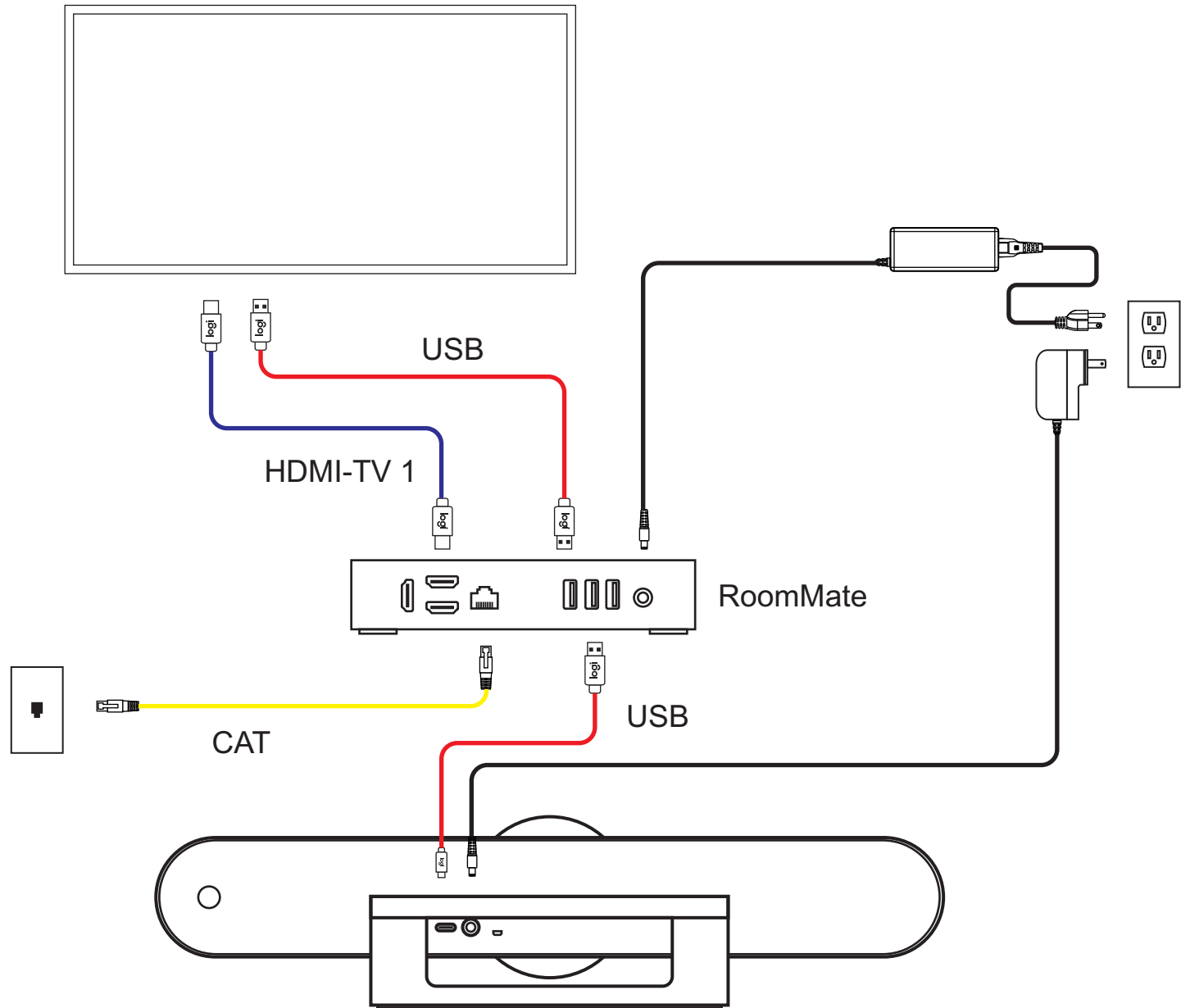
Rally Bar / Rally Bar Mini
USB Mode: Touch panel with built-in computer



CAT ■
 USB ■
 HDMI ■



Rally Bar / Rally Bar Mini
Appliance Mode: Touch screen



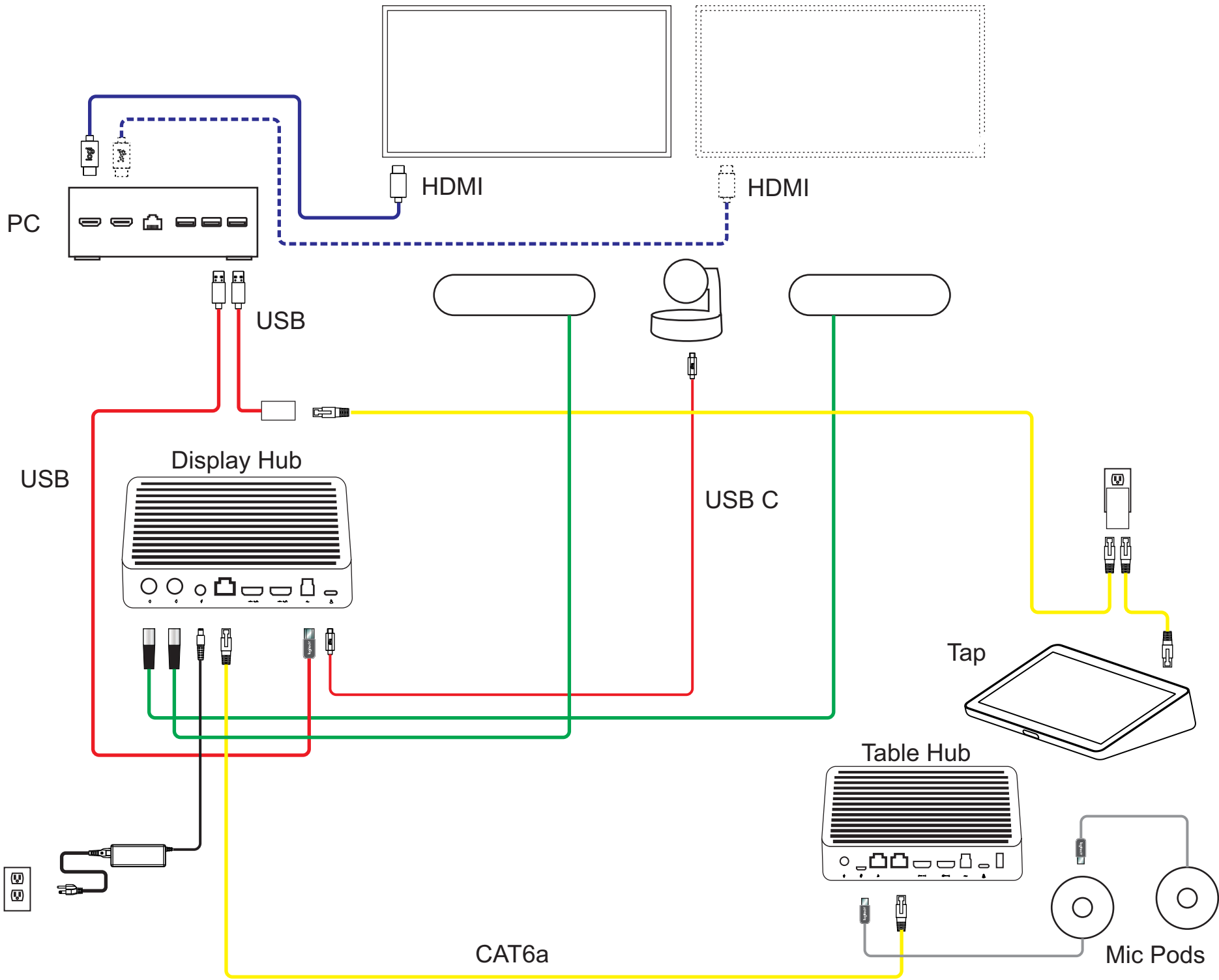
CAT ■
 USB ■
 HDMI ■



**RoomMate and MeetUp
 Appliance Mode: Touch screen**

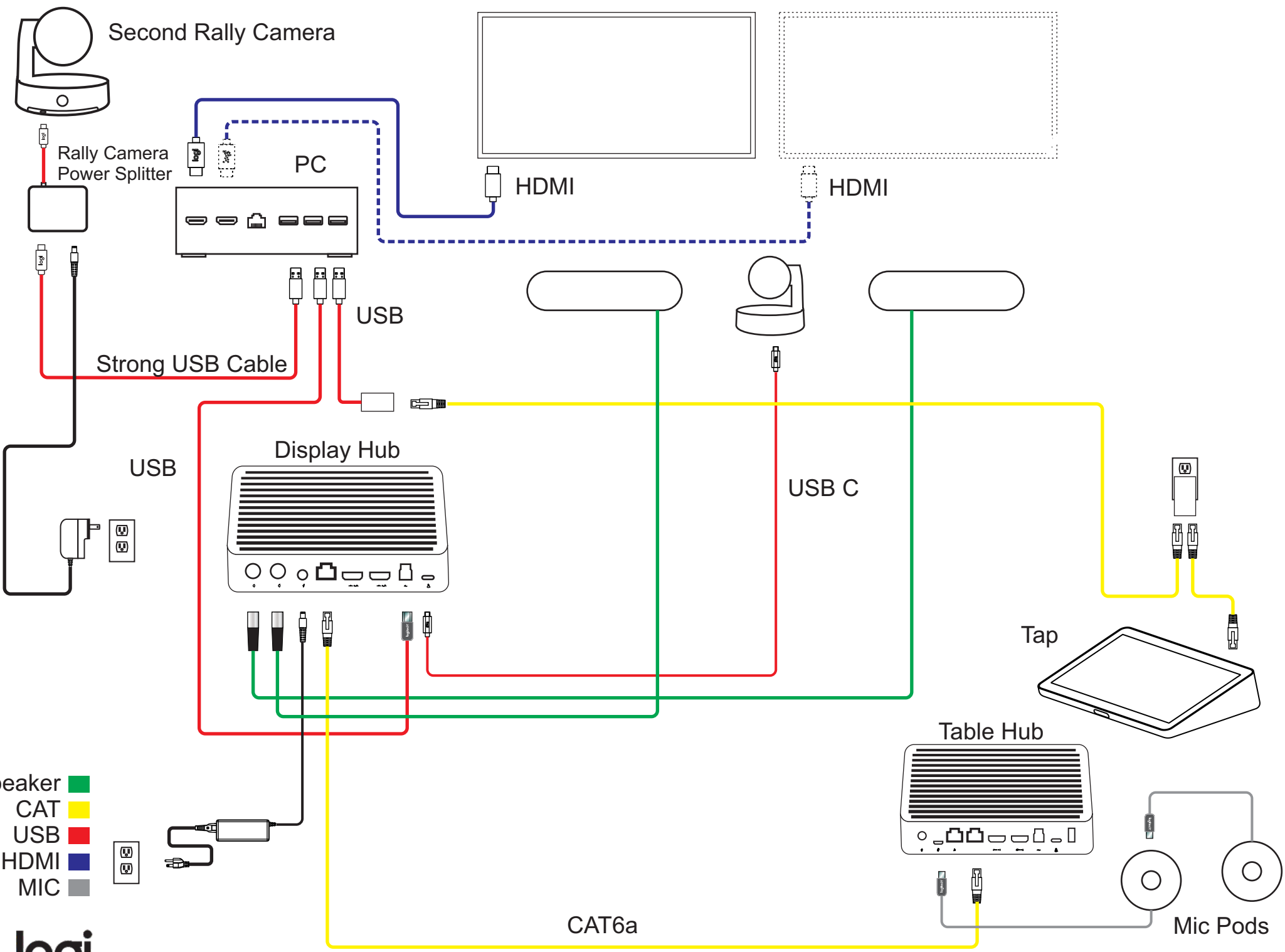
RALLY & RALLY PLUS

[Table of Contents](#)

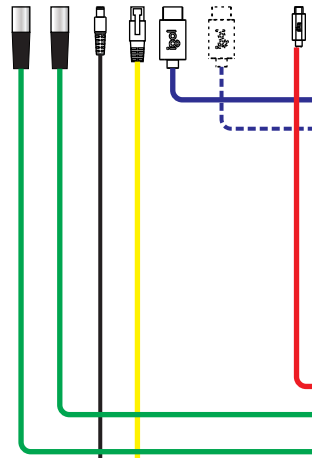
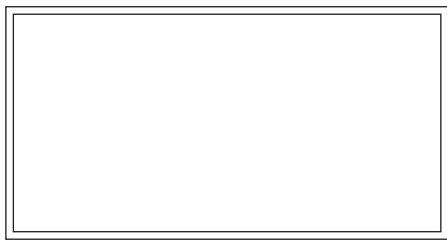
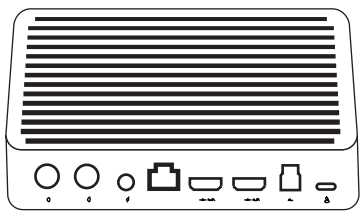


- Speaker
- CAT
- USB
- HDMI
- MIC



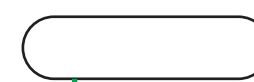
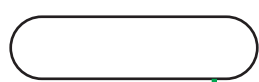


Display Hub

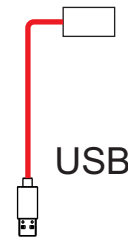
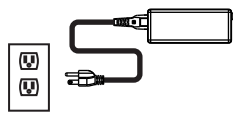


HDMI

HDMI

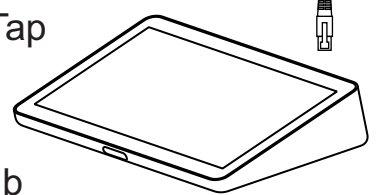


USB C

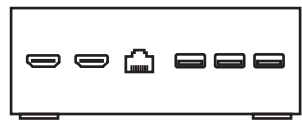


USB

Tap



PC



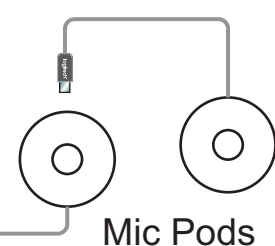
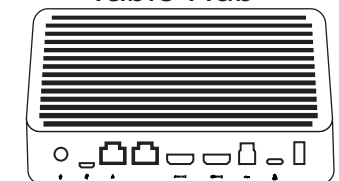
HDMI

HDMI

USB

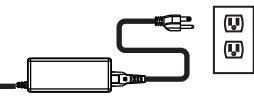
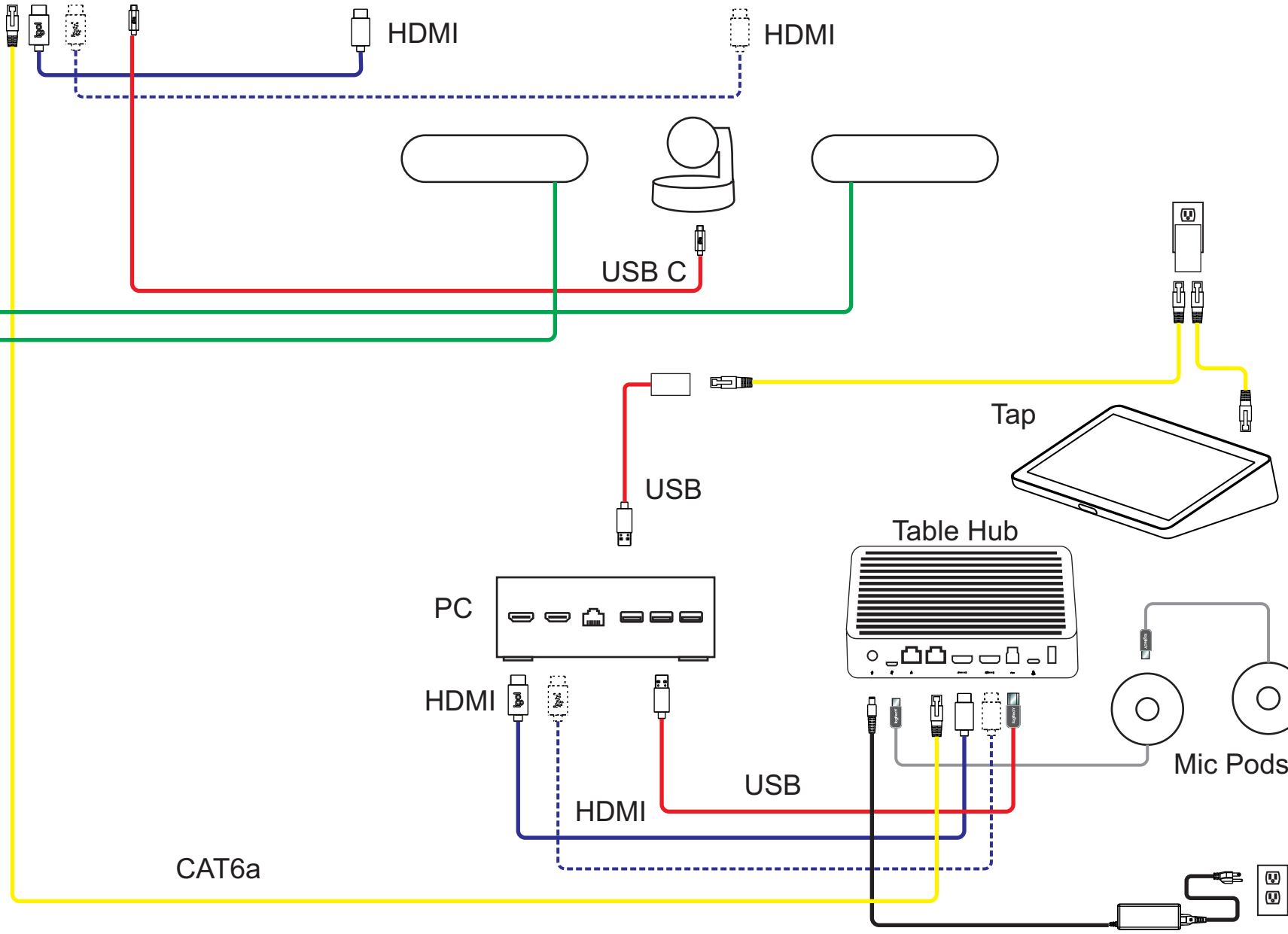
HDMI

Table Hub



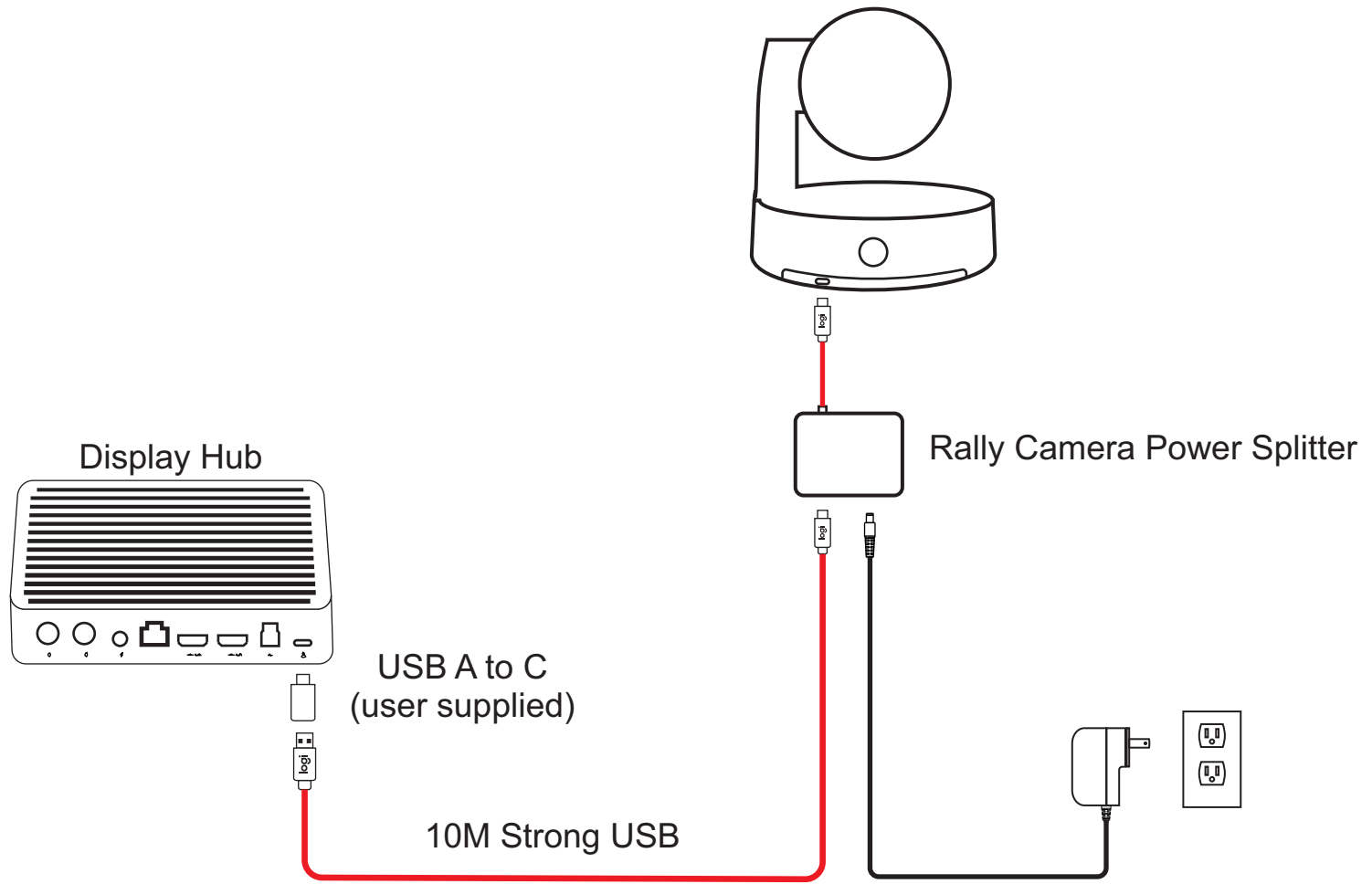
Mic Pods

CAT6a



- Speaker ■
- CAT ■
- USB ■
- HDMI ■
- MIC ■





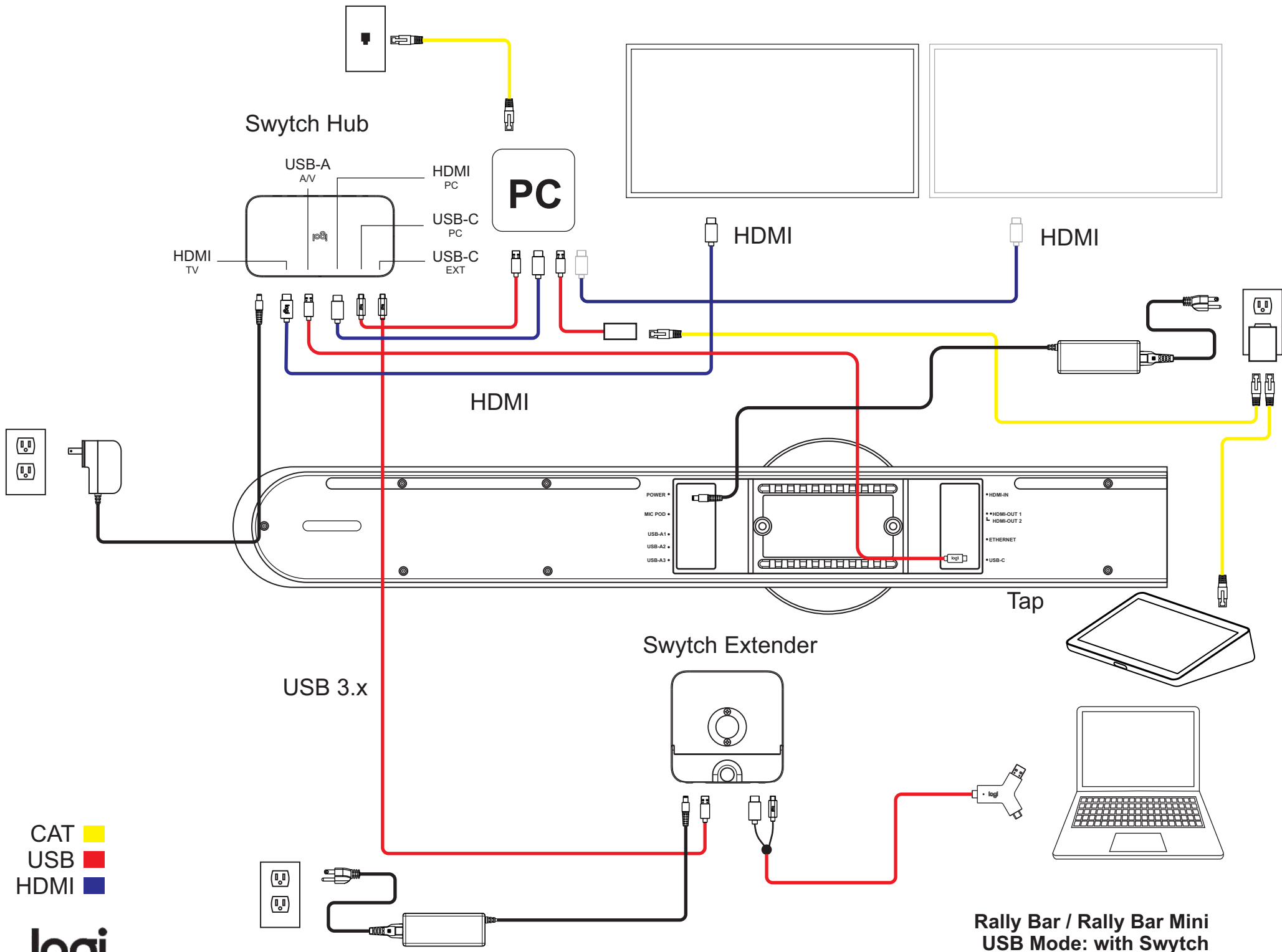
USB ■



Rally Plus: Extending the USB cable between the camera and Display Hub
Please note: this configuration does not work with Swytch

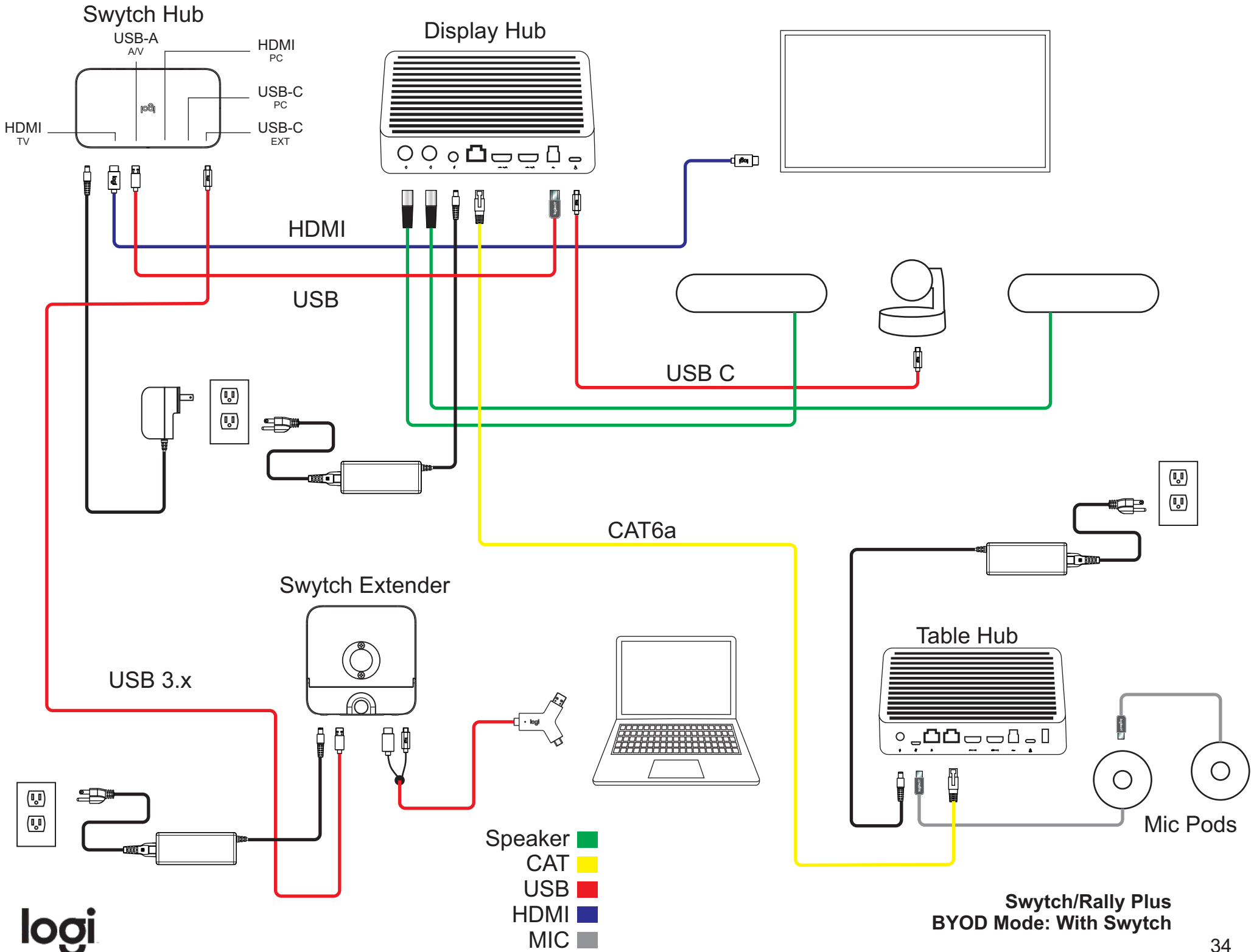
SWYTCH

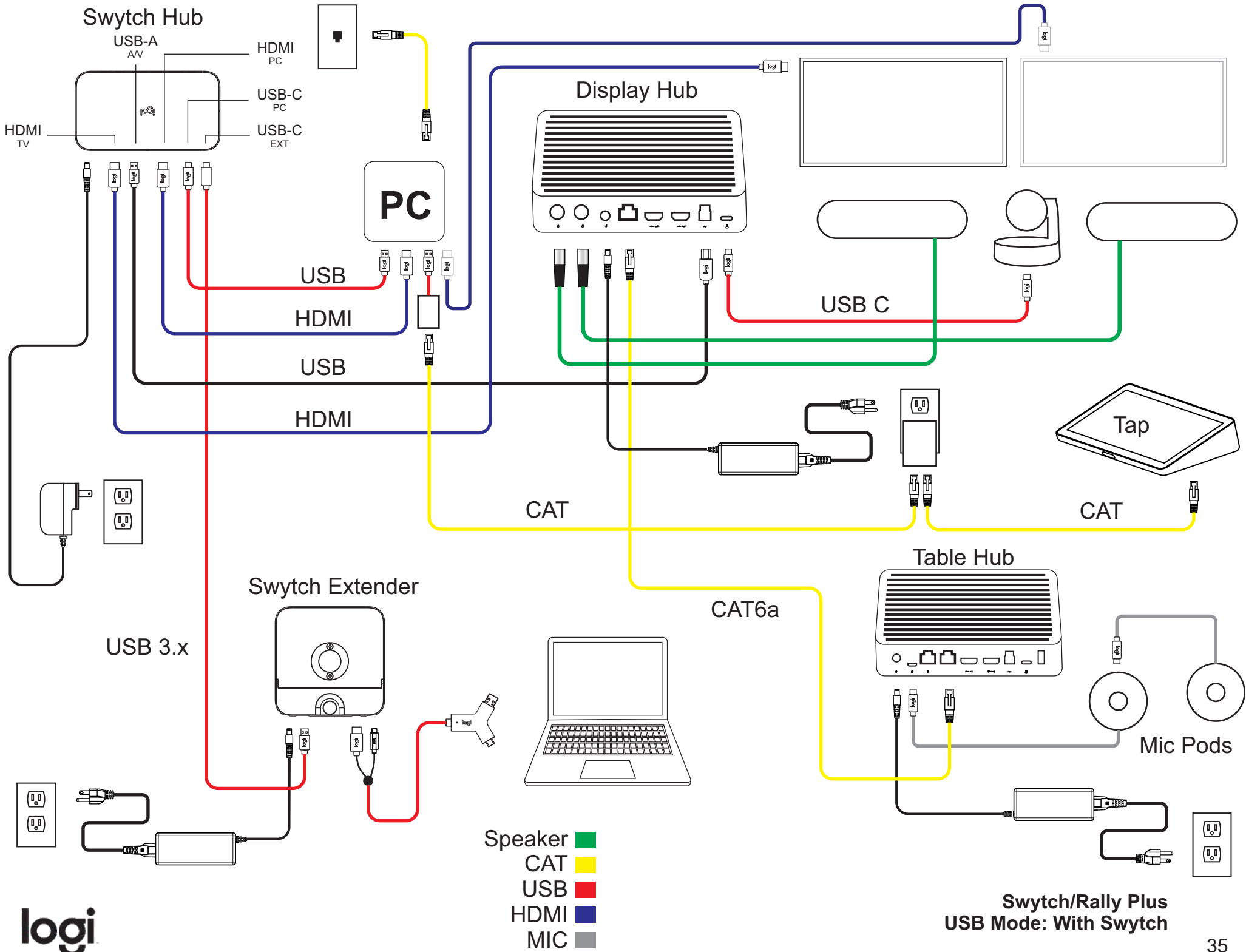
[Table of Contents](#)

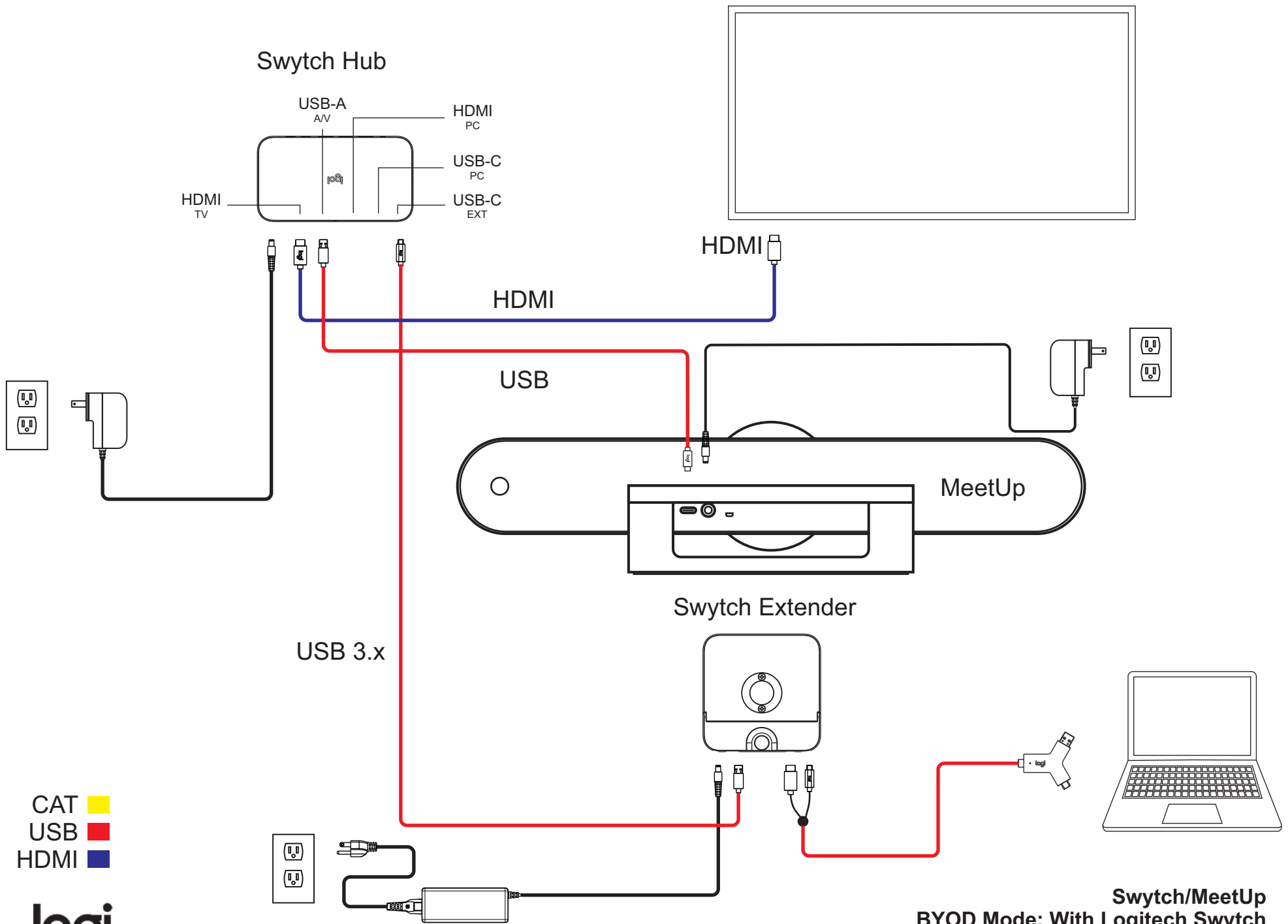


CAT ■
 USB ■
 HDMI ■

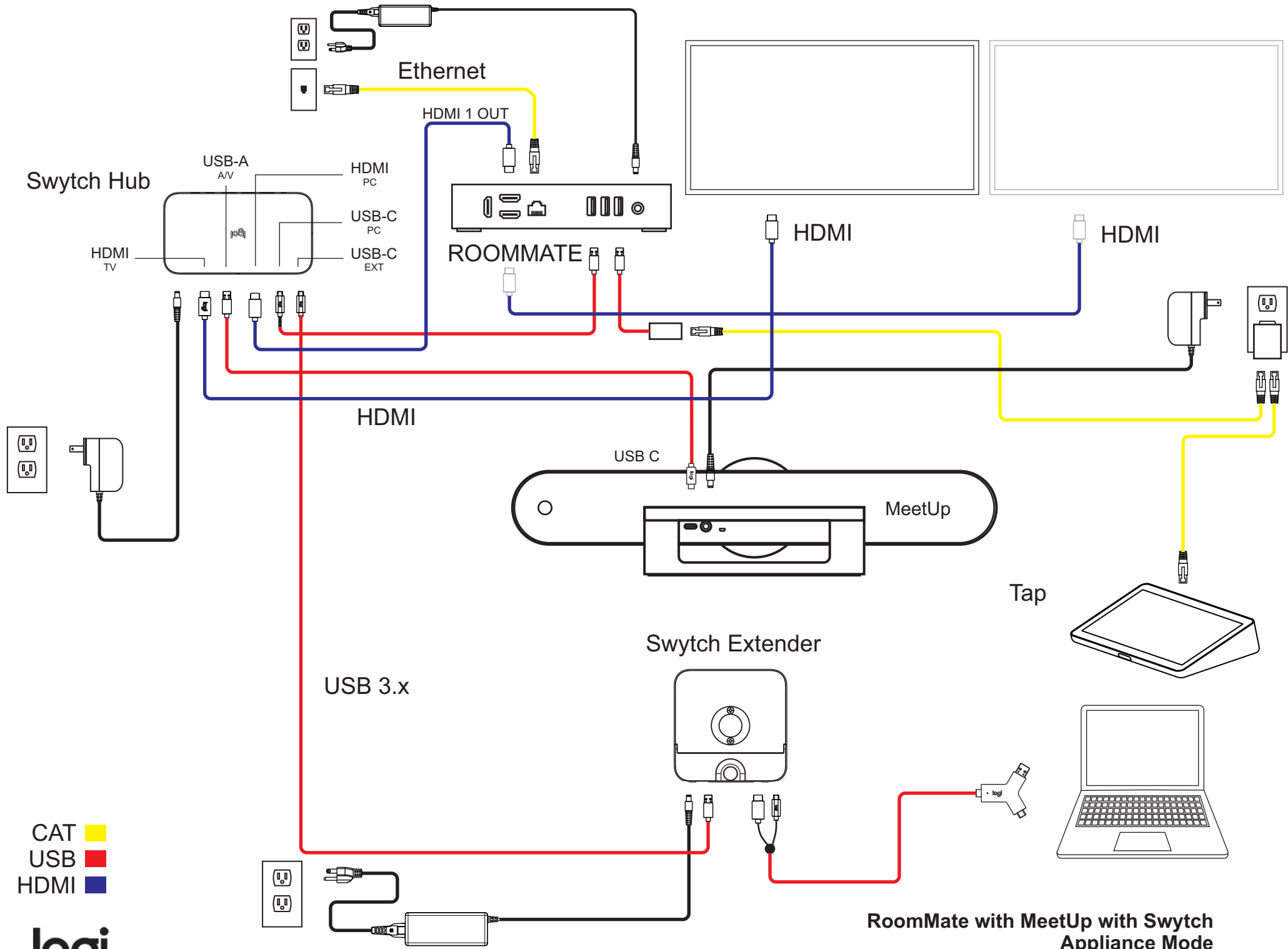








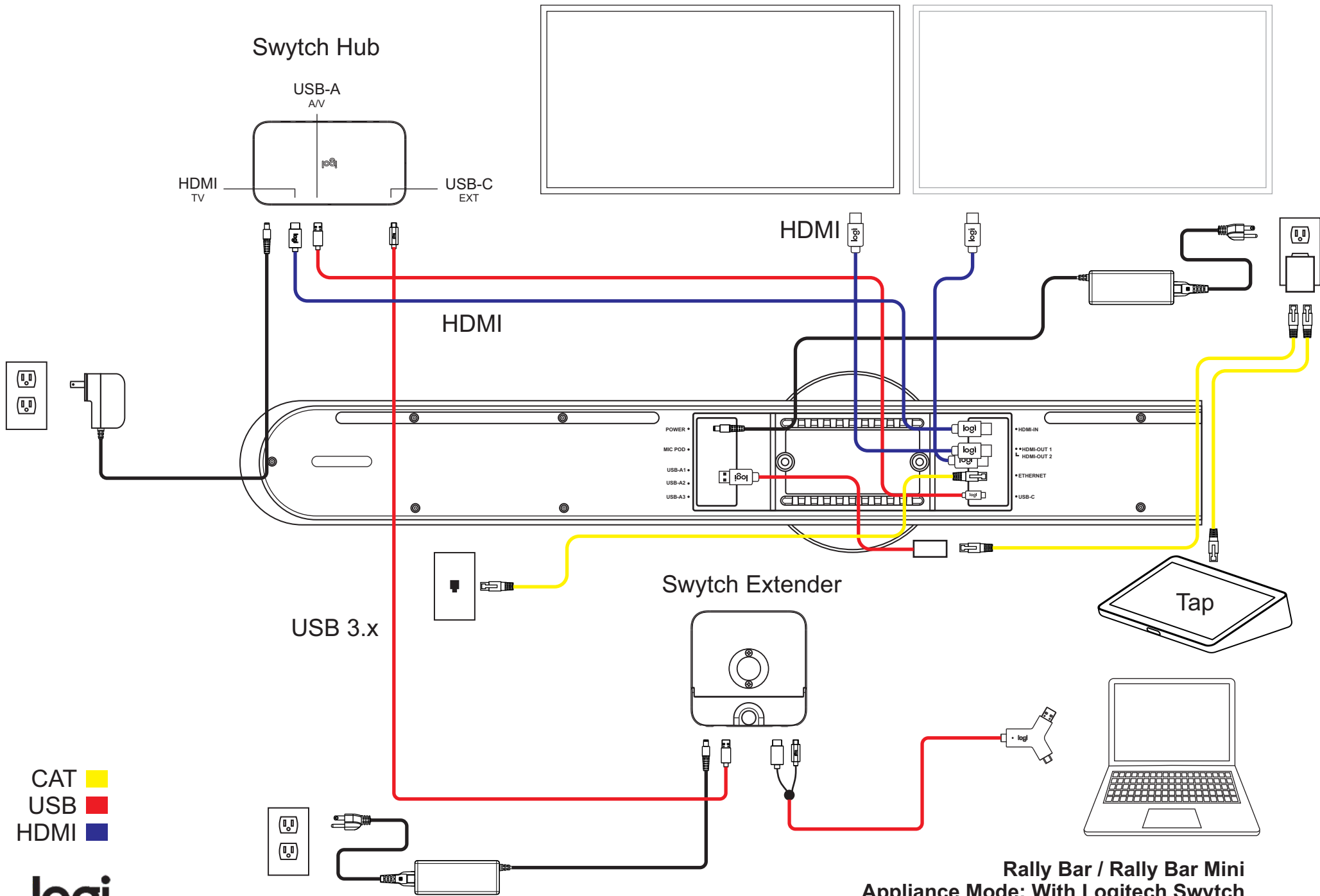
**Swytch/MeetUp
 BYOD Mode: With Logitech Swytch**



CAT ■
 USB ■
 HDMI ■

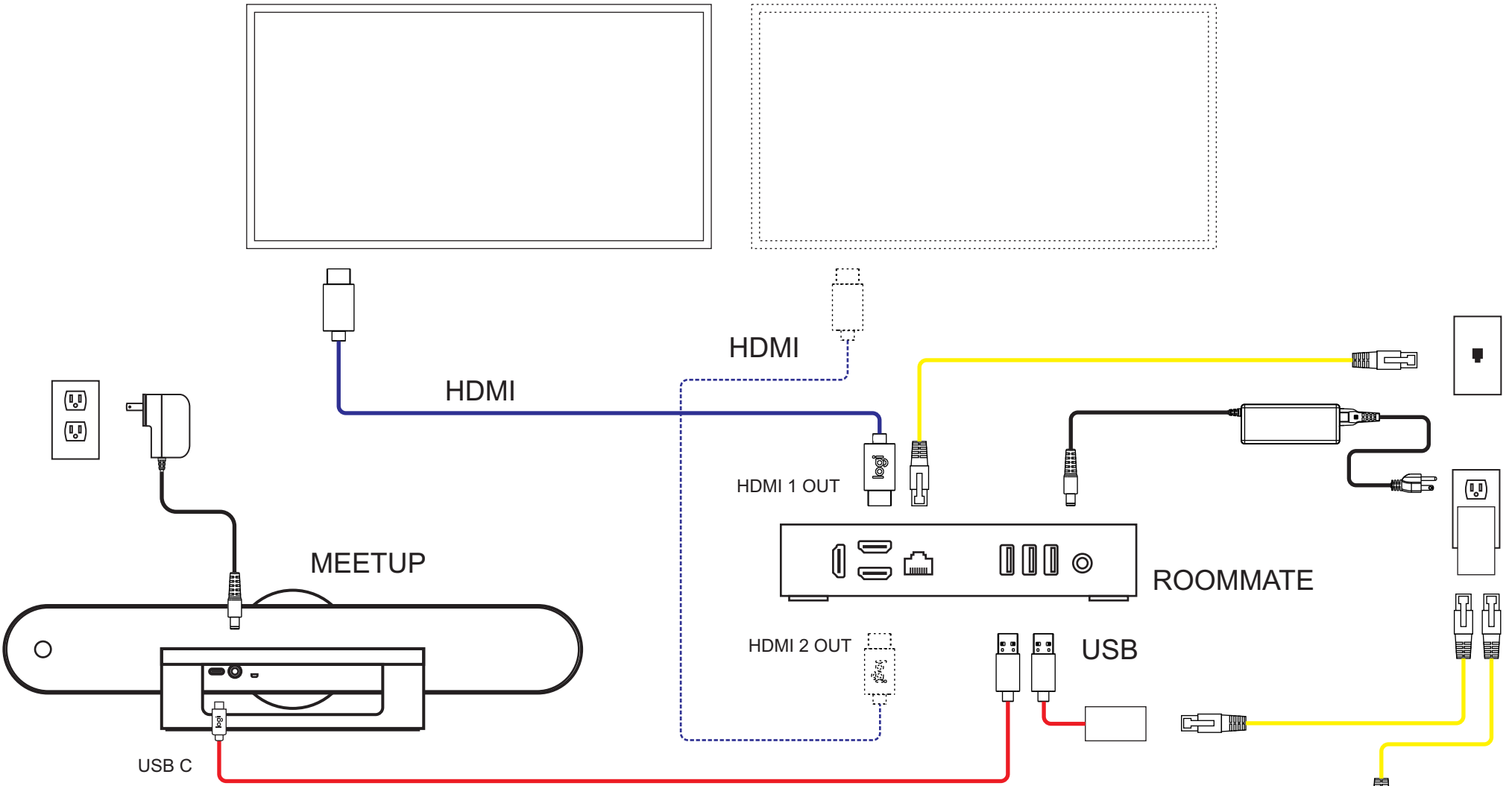


RoomMate with MeetUp with Swytch Appliance Mode



ROOMMATE

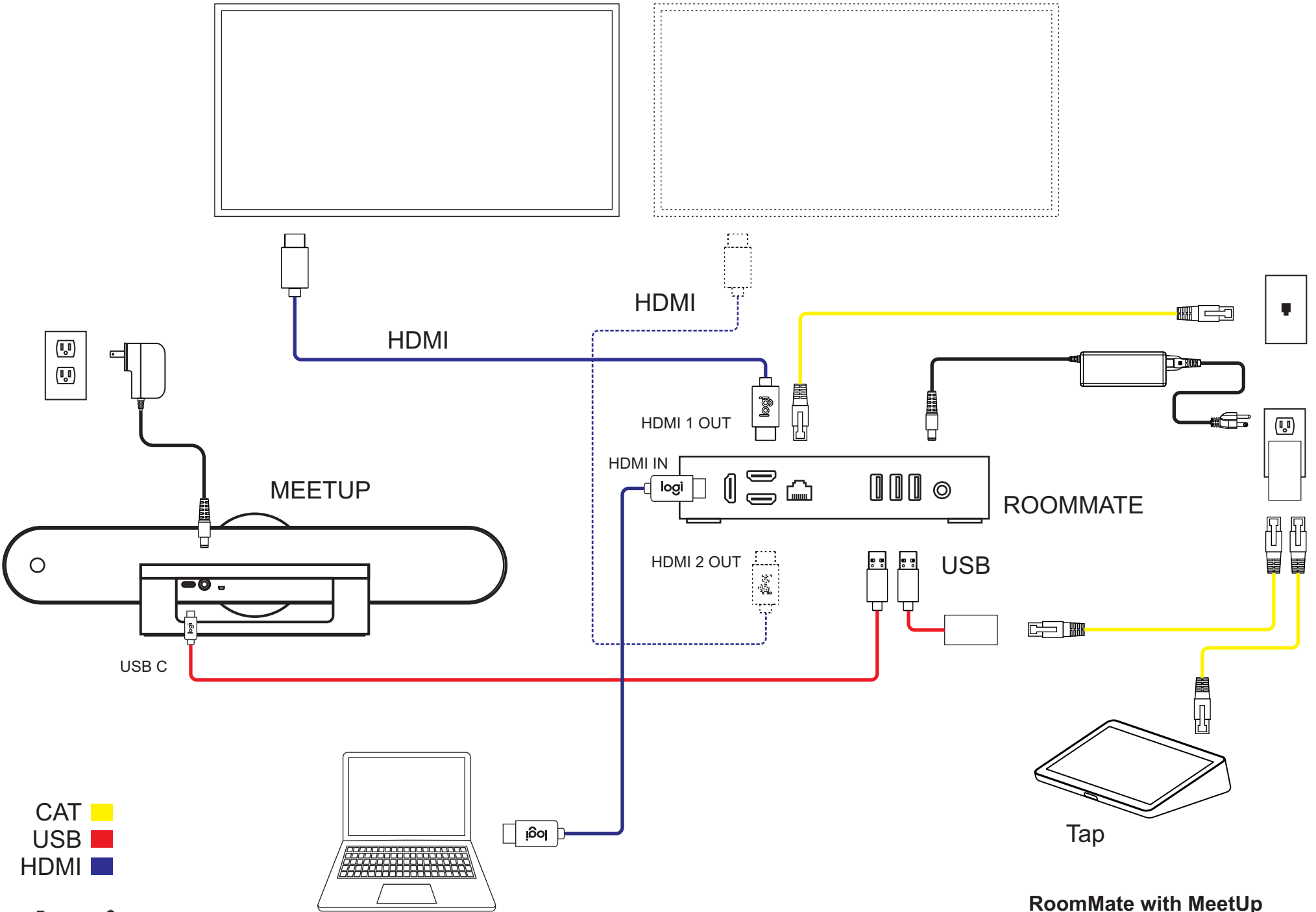
[Table of Contents](#)



- CAT ■
- USB ■
- HDMI ■

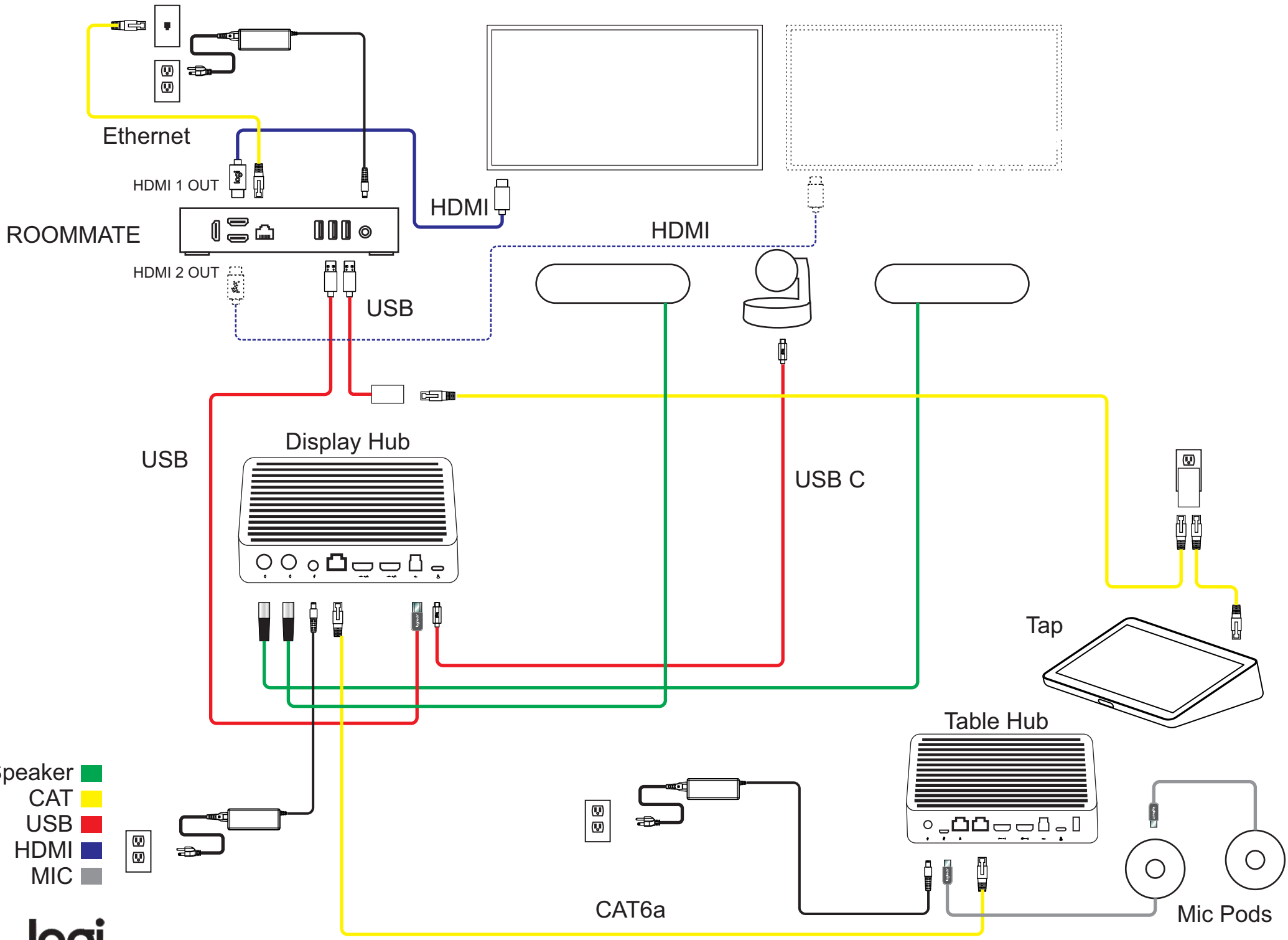


RoomMate with MeetUp Appliance Mode



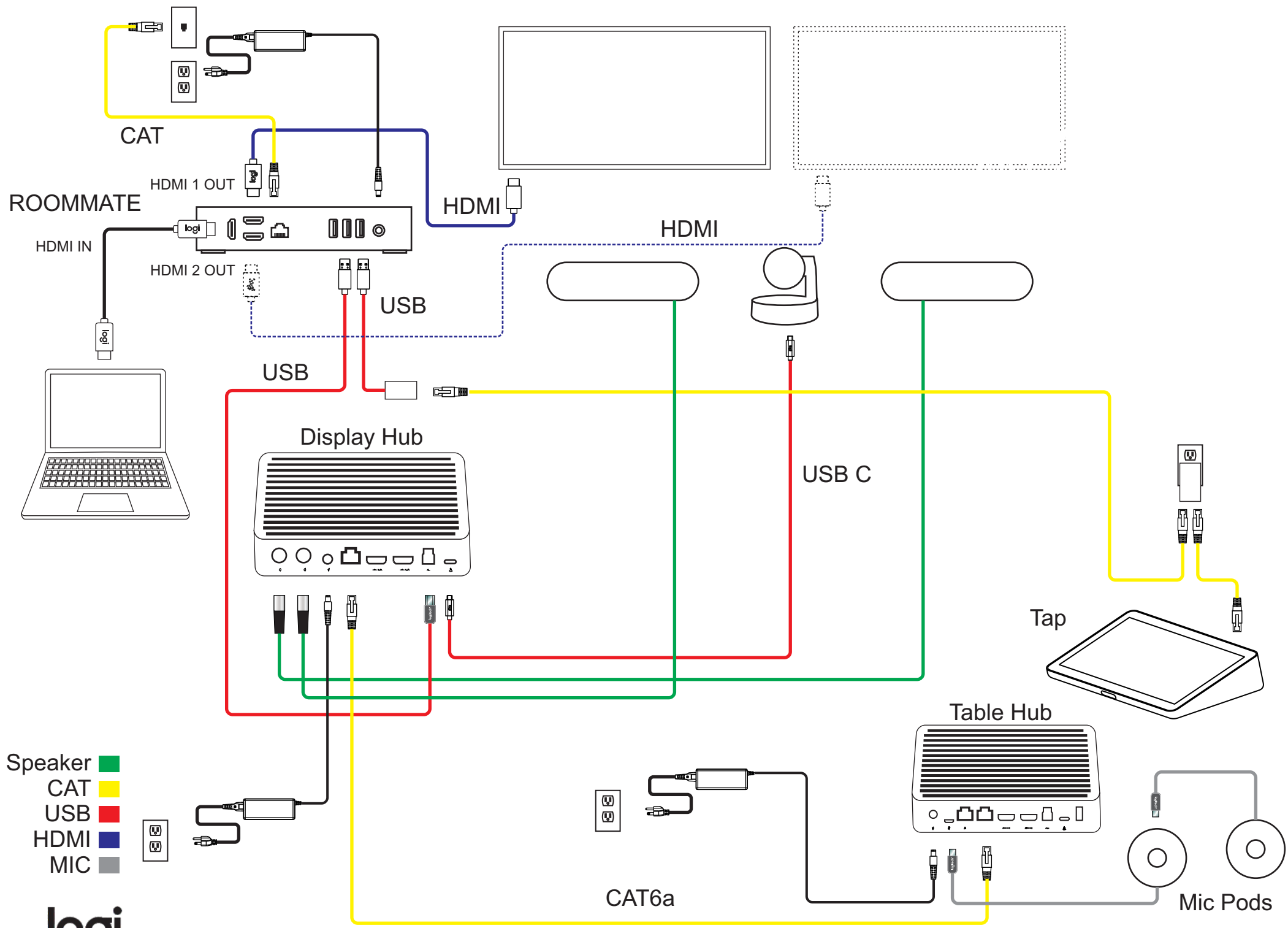
CAT ■
 USB ■
 HDMI ■

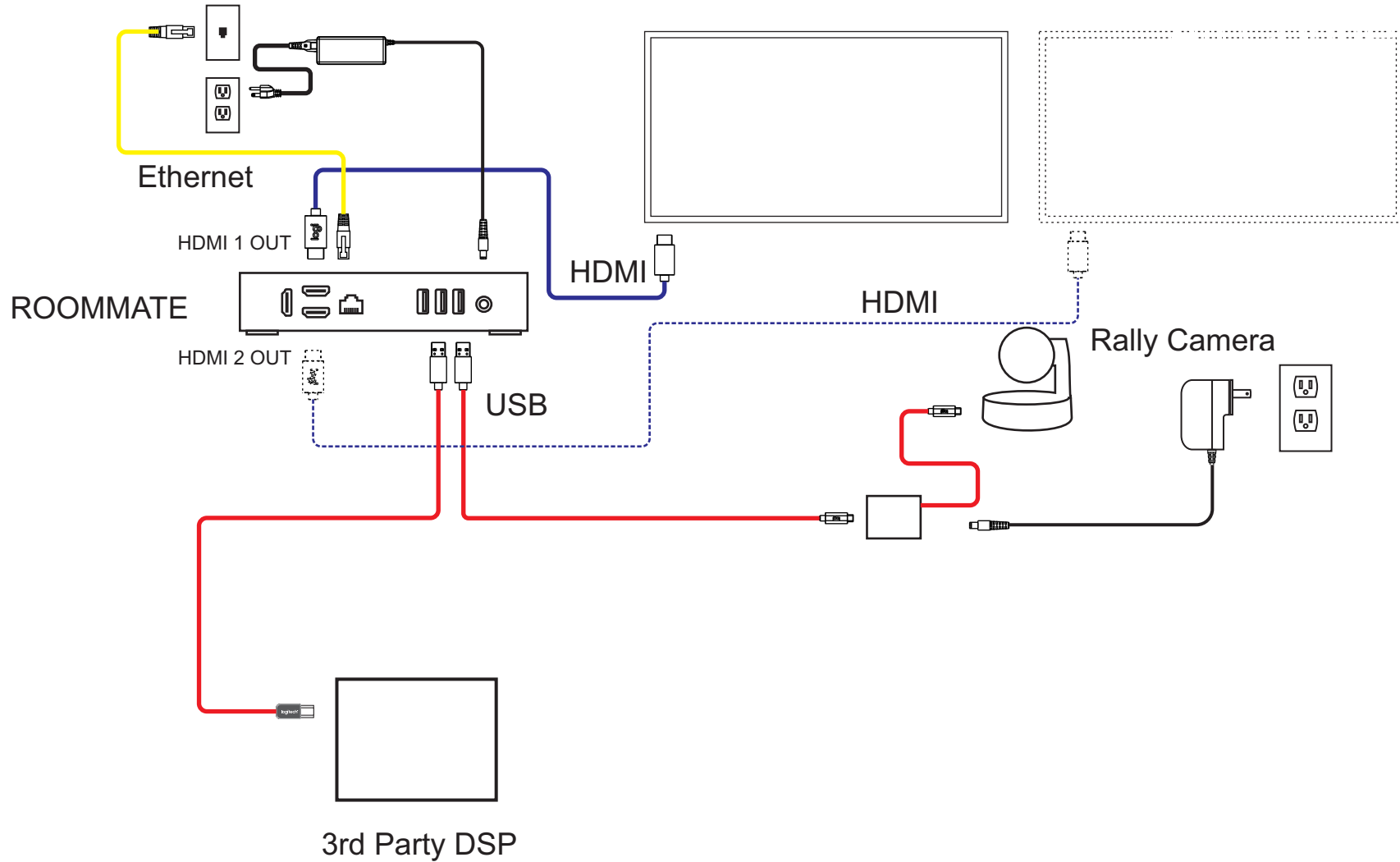




- Speaker ■
- CAT ■
- USB ■
- HDMI ■
- MIC ■





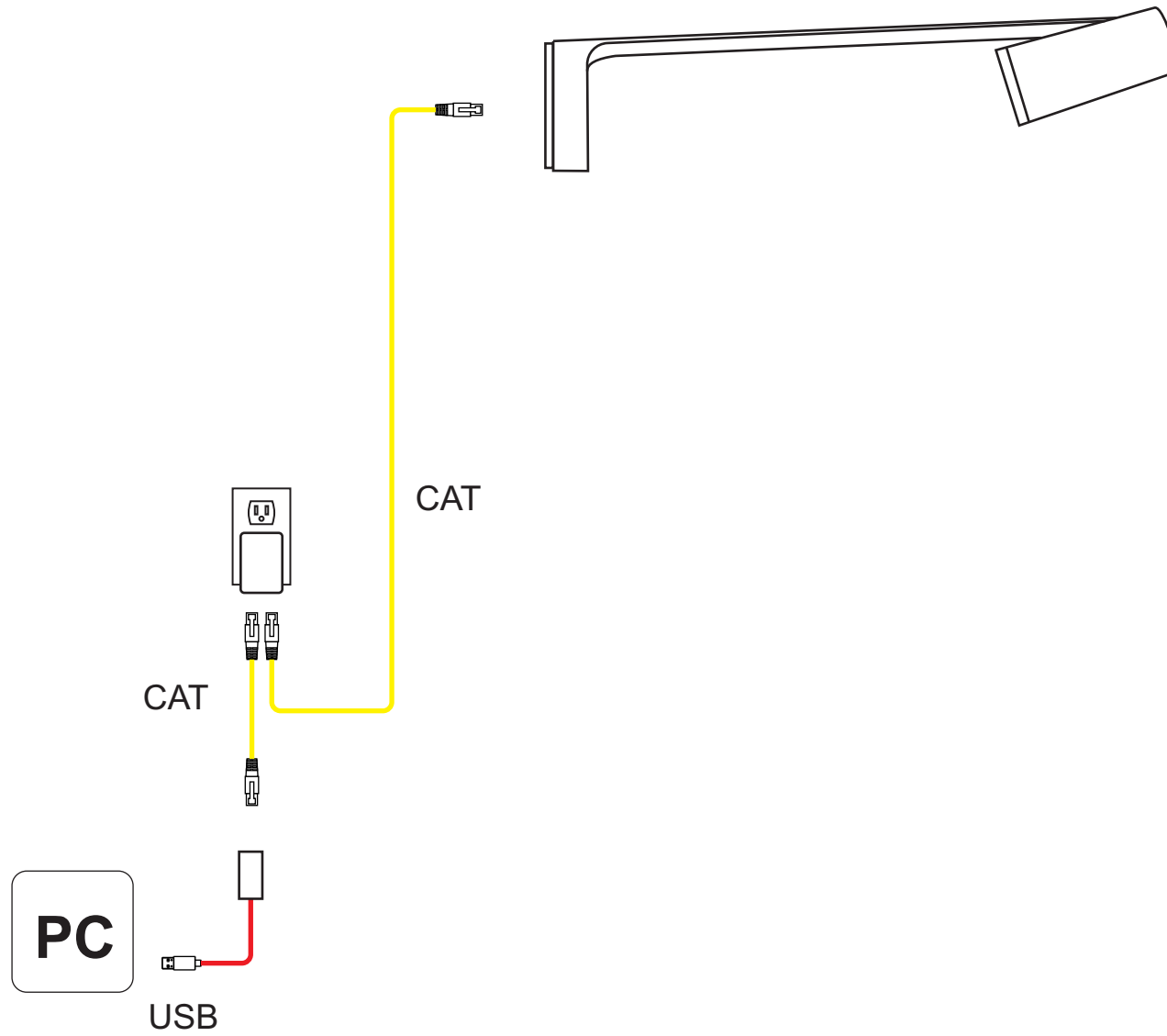


CAT ■
 USB ■
 HDMI ■



SCRIBE

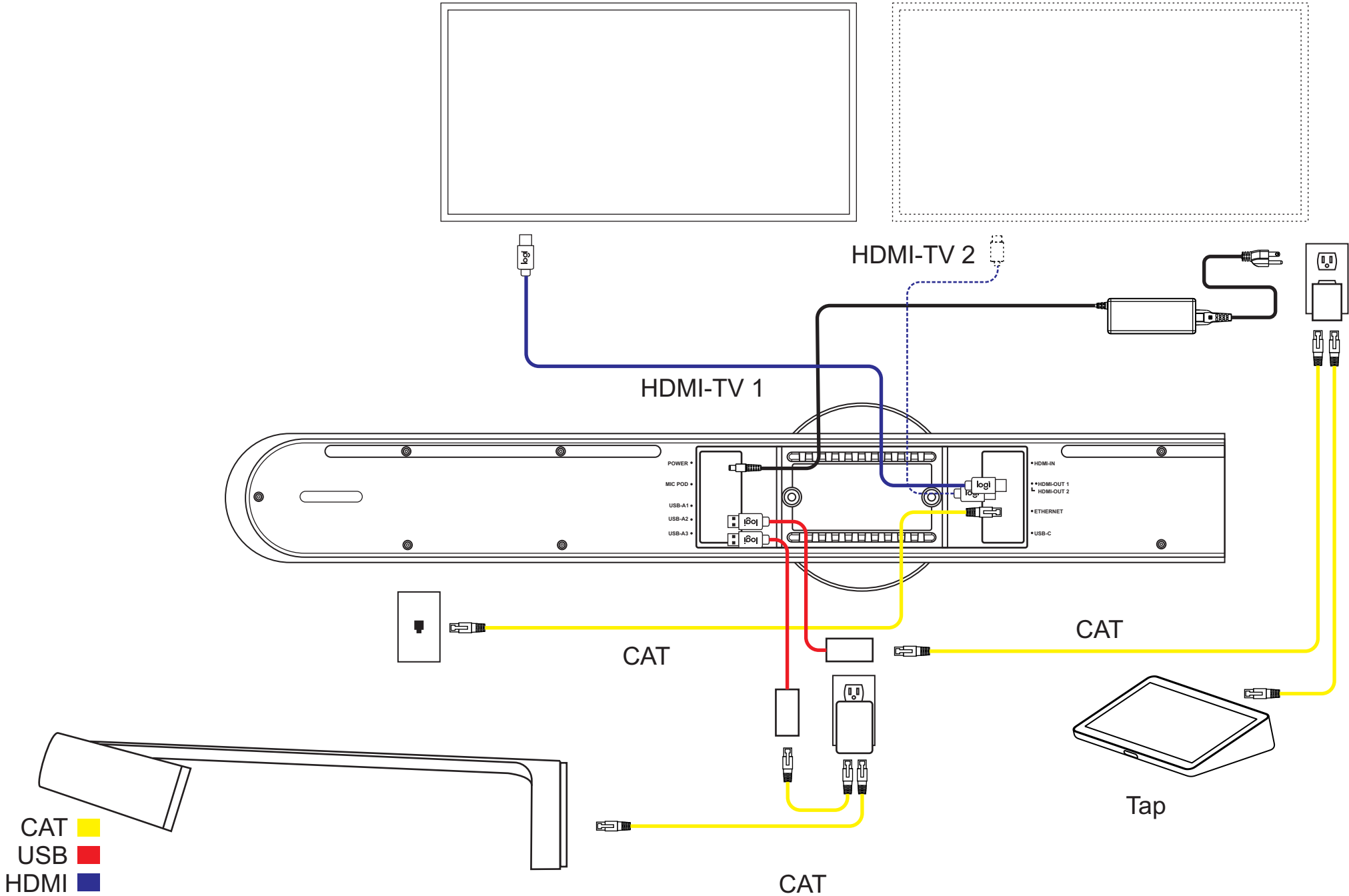
[Table of Contents](#)



CAT 
USB 

logi

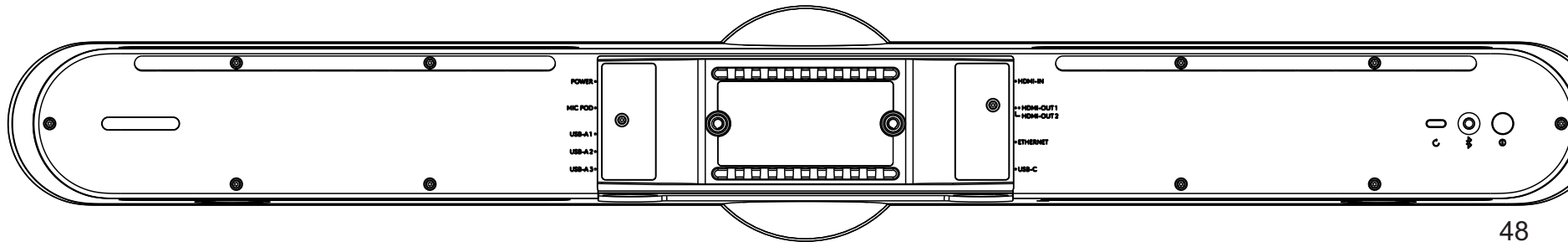
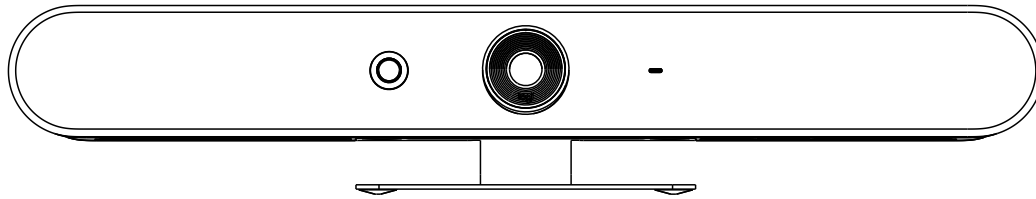
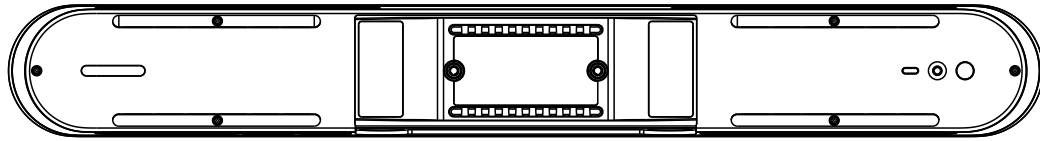
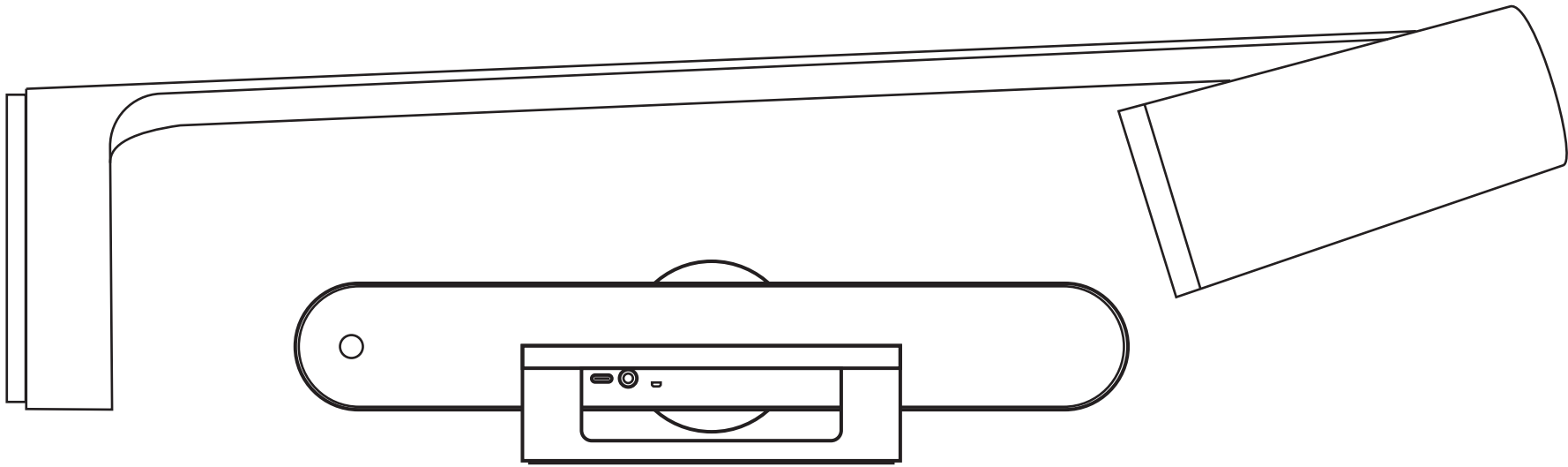
Scribe: PC connection

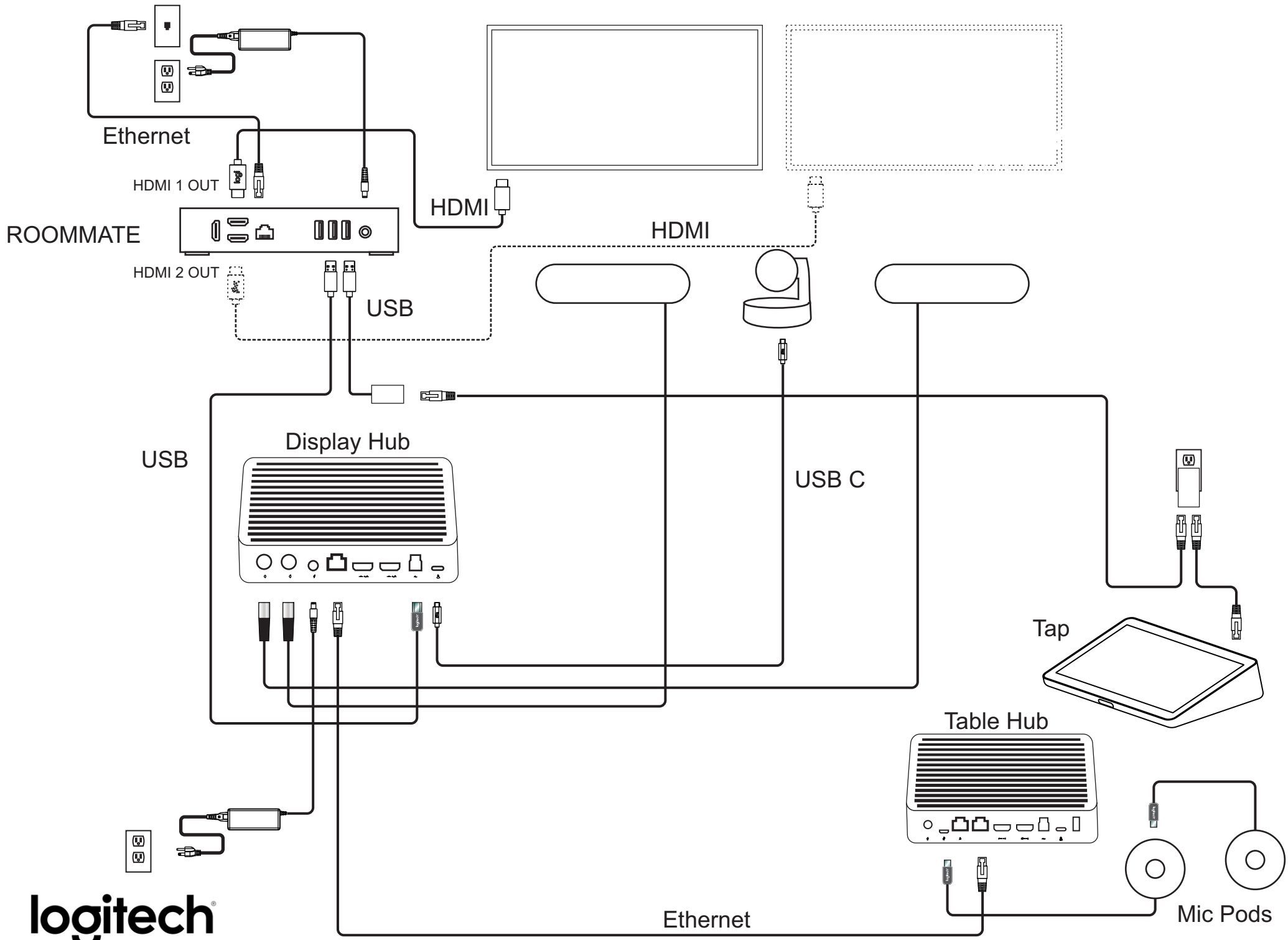


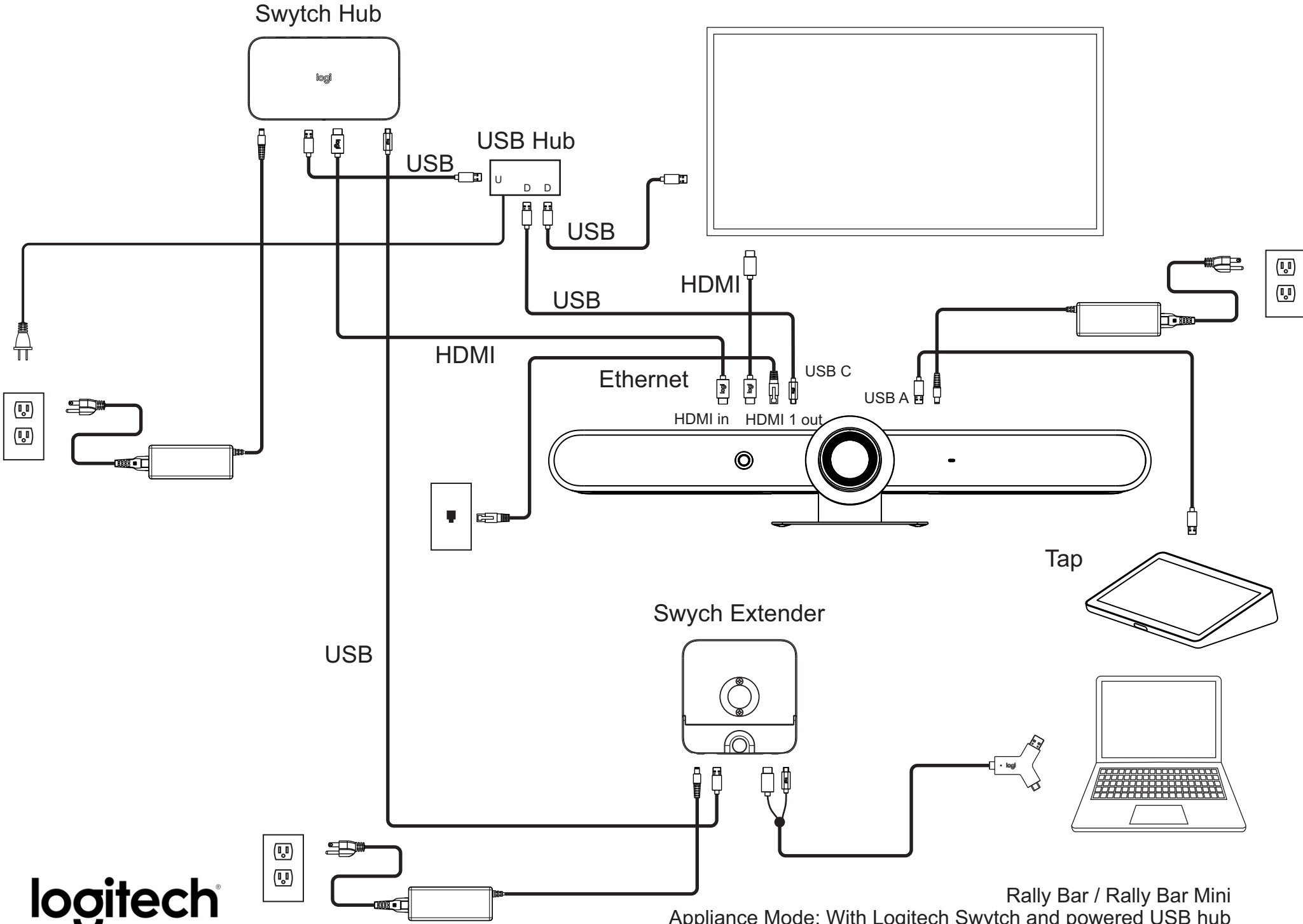
- CAT ■
- USB ■
- HDMI ■



Scribe: Appliance mode connection (VC application dependent)







Rally Bar / Rally Bar Mini
Appliance Mode: With Logitech Swytch and powered USB hub